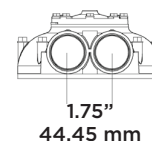
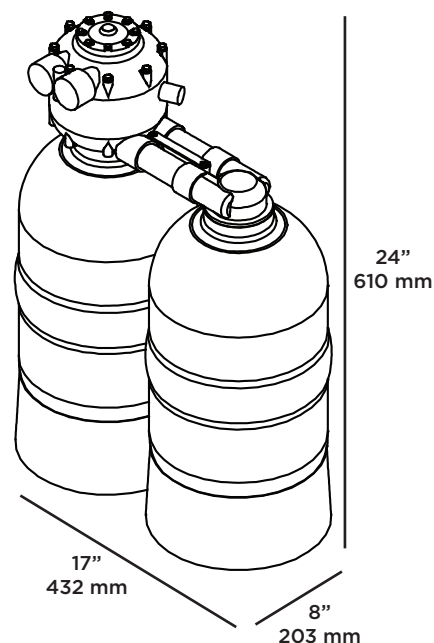


CC 208s Data Sheet



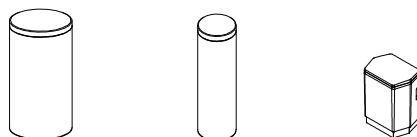
| System Components | |
|--------------------------------------|--|
| Media Vessel (Qty.) Size | (2) 8" x 17" |
| Media Vessel Construction | Engineered Plastic |
| Empty Bed Volume (per tank) | 0.40 ft ³ |
| Media Type | Standard Mesh Resin |
| Media Volume (per tank) | 0.40 ft ³ |
| Bed Depth / Free Board | Packed / None |
| Riser Tube | 1" ABS |
| Distributor | |
| Upper | 0.012" Slots, Engineered Plastic Basket |
| Lower | 0.009" Slots, Stainless Steel Flat Plate |
| Under Bedding | None |
| Regeneration Control | Non-electric Use Meter |
| Regeneration Type | Countercurrent |
| Meter Type | 0.30 - 25.00 gpm Polypropylene Turbine |
| Inlet Water Quality | |
| Pressure Range | 15 - 125 psi Dynamic Pressure |
| Temperature Range | 35 - 120°F |
| Temperature (Continuous) | 100°F |
| pH Range | 5 - 10 SU |
| Free Chlorine Cl ₂ (Max.) | 2.0 mg/L |
| Hardness as CaCO ₃ (Max.) | 42 grains/gal |
| Operating Specifications | |
| Flow Rate - 15 psid (1 bar) | 10.2 gpm |
| Flow Rate - 30 psid (2 bar) | 16.4 gpm |
| Flow Configuration | Upflow |
| Dimensions (Width x Depth x Height) | 17" x 8" x 24" |
| Weight (Operating / Shipping) | 180 / 70 lb |
| Connections | |
| Inlet / Outlet Connections | Custom Adapter and Bracket |
| Drain Connection | 0.5" Tube |
| Brine Line Connection | 0.375" Tube |
| Power | None |
| System Part Numbers | |
| CC 208s Metered Compact Softener | 11269A |
| Regeneration Specifications | |
| Regeneration Volume / Time | 14 gal / 11 min |
| Backwash Flow Control | 1.40 gpm |
| Brine Refill Flow Control | 0.40 gpm |



Alternating Operation

| Setting | Capacity | Efficiency | Dosing | Meter Disc | Disc Selection (Compensated Hardness*) | | | | | | | |
|--------------------------------------|--------------|-----------------|------------------------|------------|--|------|------|------|------|-----|-----|-----|
| | | | | | 1 | 2 | 3 | 4 | 5 | 6 | 7 | 8 |
| 1.0 lb | 4,568 grains | 4,568 grains/lb | 2.5 lb/ft ³ | | 5 | 10 | 15 | 20 | 25 | 29 | 33 | 37 |
| 1.4 lb | 5,212 grains | 3,723 grains/lb | 3.5 lb/ft ³ | | 6 | 12 | 18 | 23 | 28 | 33 | 37 | 42 |
| Flow during regeneration (@15 psig): | | | | | 10.2 | 10.2 | 10.2 | 10.2 | 10.2 | 8.3 | 6.7 | 5.5 |
| Gallons / Regeneration: | | | | | 732 | 366 | 244 | 183 | 146 | 122 | 105 | 92 |

*Compensated hardness in grains/gal = Hardness + (3 x Fe in mg/L)



Brine Tank Options

| Tank Description | 18" x 35" | 12" x 40" | 12" x 16" x 20" |
|------------------------|-----------|-----------|-----------------|
| Brine Tank Part Number | 7938A | 1479B | 7202 |
| Tank Height | 35" | 40" | 20" |
| Tank Footprint | 18" DIA | 12" DIA | 12" x 16" |
| Material | HDPE | HDPE | HDPE |
| Salt Capacity | 250 lb | 100 lb | 50 lb |