

Owner's Manual / Guide d'utilisation Commercial Plus Softener Series / Série sur les adoucisseurs commercialux Plus



Models / Modèles:

CP 208s OD
CP 210s OD
CP 213s OD
CP 216s OD

TABLE OF CONTENTS

GENERAL INFORMATION

About this Manual.....	2
The Commercial Plus Series	2
System Specifications	3
Disc Selection.....	5
Continuous Service Flow Charts.....	5

OPERATING SPECIFICATIONS

Kinetico Valve Components	9
Level 1 Operation	9
Flow Nozzle	9
Meter Gearing	10
Regeneration Pawls	10
Jet Regeneration	10
Gear Alignment Clip	10
Control Disc	10
Control Disc, Screen and Seal.....	11
Pawls	11
Meter Disc and Balance Piston.....	12
Cap	12
Control Disc Indicator	13
Lower Valving.....	13
Level 6.....	14
Additional System Components	14
System By-pass	14
Resin Tanks.....	14
Upper Distributor.....	14
Riser Tube.....	14
Distributors	14
Media	14
Tank Interconnection.....	14
Brine Tanks	15
Central Brine System.....	15
Valve Modifications for Central Brining Operation.....	15

INSTALLATION

Getting Started.....	16
Pre-installation Review	16
KineticoPRO® Softener Installation CP 208 - CP 216	17
Preparation.....	17
Inspection	17
Turn off Water Supply.....	17
Set Equipment in Place	17
Prepare the By-pass Valve	18
Connect System	18
Connect Softening Tanks.....	21
Run the Drain Line.....	21
Setting Your System	22
Adjust Your Salt Dose	23
Sanitizing the System.....	25
Bring System Online	25
CP 208s OD Data Sheet.....	26
CP 210s OD Data Sheet.....	27
CP 213s OD Data Sheet	28

CP 216s OD Data Sheet	29
Brine Valve Settings for CP 208 and CP 210 with 18x35 Drum.....	30
Brine Valve Settings for CP 208 and CP 210 with 12x40 Drum.....	31
Brine Valve Settings for CP 213 and CP 216	32
Installing the Brine Valve	32
Central Brining System Installation.....	33
For 39x60 and 50x60 Diameter Drums	33
For 24x48 Drum.....	34

TROUBLESHOOTING

Ten steps to determine the problem.....	35
Hard Water	38
Frequent Regeneration.....	39
High Salt Consumption.....	39
Salty Treated Water	40
Iron Bleed-through.....	41
Pressure Loss.....	41
Water Running to Drain.....	42
Equipment Noise.....	42
Taste, Color & Odor.....	43
Leaks.....	43
Unit Sticks in Cycle.....	44

PARTS

Complete Valve.....	45
Level One	45
Gearing	46
Nozzles.....	46
Inlet / Outlet Adapters	46
Level 2	47
Level 3	47
Level 4.....	47
Level 5	47
Level 6.....	47
Remote Base.....	47
Media, Tanks, Distributors and Riser Tubes	48
Tank Connectors.....	48
Brine Valve.....	48
Media	48

GENERAL INFORMATION

About this Manual

This manual will cover information needed for the proper installation and operation of your KineticoPRO Softening System. We have also included information regarding the frequently asked questions about softening systems. This information may be more technical in nature, but provides further insight to the continued operation of this equipment at its highest levels.

This manual will use various icons to help highlight issues that are relevant to the safe operation of this equipment. The following icons will be used as described:



General information regarding the application of this product will be highlighted by this icon. This will include technical specifications and expected operational results.



A caution icon will be used to present any information that may hold a potential hazard or concern during the installation, use or maintenance of this product. Should this information not be followed, it may result in damage to this equipment and its surroundings.



The warning icon will be used to present any information that may result in a severe hazard or concern during the installation, use or maintenance of this product. Should this information not be followed, it may result in severe physical harm.



Any tools or materials required during the installation, use or maintenance of this equipment will be preceded by this icon. Using these specific tools will minimize time and effort. Not using the proper tool may result in damage to this equipment, its surroundings or even physical harm.

If there are any additional questions pertaining to this equipment, please contact your local KineticoPRO Dealer for further assistance.

The Commercial Plus Series

The CP Series provides continuous soft water for commercial applications. The unique design of Kinetico's control valve allows for all softener functions to operate automatically and non-electrically. The system has a number of options as described:

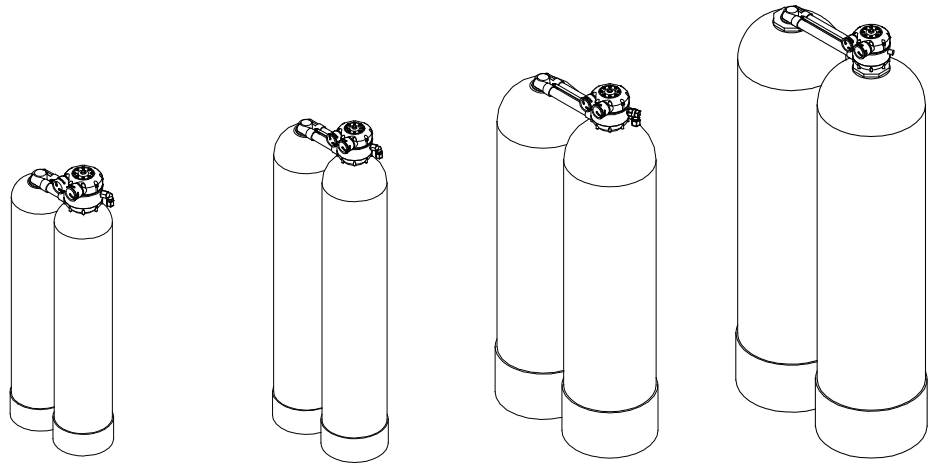
(OD) - Overdrive

The Overdrive feature means both tanks are on-line during service. During regeneration, one tank is in service and provides water to the regenerating tank. All CP systems are shipped in the Overdrive mode. The alternating disc is also included. To apply a (s) standard flow configuration, the OD version would be purchased and modified at the time of install.

(s) - Standard or Alternating Service

This is where one tank is in service and the other tank is regenerating or in stand-by. The (s) standard feature allows for higher hardness levels to be removed, but offers lower service flow rates.

System Specifications



Product Name	CP 208s OD	CP 210s OD	CP 213s OD	CP 216s OD
Overdrive Flow (15/30 psig)	20.5 - 30.0 gpm	21.1 - 31.6 gpm	28 - 40 gpm	35.0 - 47.0 gpm
Alternating Flow (15/30 psig)	11.5 - 18.0 gpm	12.0 - 19.0 gpm	20.0 - 30.0 gpm	23.0 - 33.0 gpm
Tank Size	8" x 40"	10" x 54"	13" x 54"	16" x 65"
Resin Volume per Tank	0.7 ft ³	1.5 ft ³	2.5 ft ³	4.0 ft ³
Under Bedding	None	None	24 lb Gravel	75 lb Gravel
Upper Distributor	0.014" Slotted Hub	0.014" Slotted Hub	0.012" Slotted Hub	0.012" Slotted Hub
Lower Distributor	0.014" Slotted Hub	0.014" Slotted Hub	0.012" Slotted Hub	0.012" Slotted Hub
Service Flow Direction	Downflow	Downflow	Downflow	Downflow
Regeneration Flow Direction	Upflow	Upflow	Upflow	Upflow
Maximum Tank Capacity	16,630 grains	42,611 grains	70,000 grains	112,000 grains
Meter Gearing	3,171 gal	3,829 gal	8,922 gal	15,192 gal
Flow Nozzle	Full Louver	Full Louver	Full Louver	Open Louver
Minimum Flow Rate	0.75 gpm	0.75 gpm	0.75 gpm	1.1 gpm
Regeneration Volume	35 gal	102 gal	142 gal	160 gal

CP 208 – 8x40 Tanks

Part Number	Model	Description
11701	CP 208s OD	Commercial Plus Softener, 8x40 Tanks, Overdrive, 18x35 Brine Tank
11700	CP 208s OD	Commercial Plus Softener, 8x40 Tanks, Overdrive, No Brine Tank
11702	CP 208s OD	Commercial Plus Softener, 8x40 Tanks, Overdrive, No Brine Tank, No Media

CP 210 – 10x54 Tanks

Part Number	Model	Description
11704	CP 210s OD	Commercial Plus Softener, 10x54 Tanks, Overdrive, 18x35 Brine Tank
11703	CP 210s OD	Commercial Plus Softener, 10x54 Tanks, Overdrive, No Brine Tank
11705	CP 210s OD	Commercial Plus Softener, 10x54 Tanks, Overdrive, No Brine Tank, No Media

CP 213 – 13x54 Tanks

Part Number	Model	Description
11750	CP 213s OD	Commercial Plus Softener, 13x54 Tanks, Overdrive, 24x40 Brine Tank
11180A	CP 213s OD	Commercial Plus Softener, 13x54 Tanks, Overdrive, 24x40 Brine Tank, Media Separate
11184	CP 213s OD	Commercial Plus Softener, 13x54 Tanks, Overdrive, No Brine Tank, No Media
11190	CP 213s OD	Commercial Plus Softener, 13x54 Tanks, Overdrive, No Brine Tank, Media Filled

CP 216 – 16x65 Tanks

Part Number	Model	Description
11182A	CP 216s OD	Commercial Plus Softener, 16x65 Tanks, Overdrive, 24x40 Brine Tank, Media Separate
11168A	CP 216s OD	Commercial Plus Softener, 16x65 Tanks, Overdrive, No Brine Tank, Media Separate
11186	CP 216s OD	Commercial Plus Softener, 16x65 Tanks, Overdrive, No Brine Tank, No Media

CP Brine Tanks

Part Number	Model	Description
7938A	18x35	250 lb Salt Capacity
10586A	24x40	500 lb Salt Capacity



The CP Series Softeners have been Tested and Certified by WQA against NSF/ANSI/CAN 61, Drinking Water System Components - Health Effects, NSF/ANSI 372, Drinking Water System - Lead Content and CSA Standard B483.1, Drinking Water Treatment Systems.

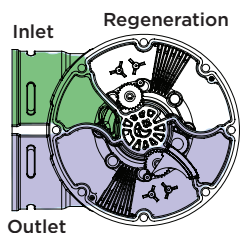


The CP Series Softeners 208 and 213 are WRAS approved for cold water installations.

OPERATING SPECIFICATIONS

Kinetico Valve Components

KineticoPRO Water Softeners use a twin tank design to assure that treated water is always available. When one tank regenerates, the other supplies treated water. The Kinetico Valve controls when each tank is in service, when each tank must be regenerated and the regeneration of each tank.



Kinetico Valve

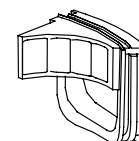
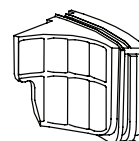
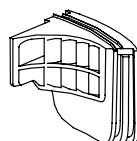
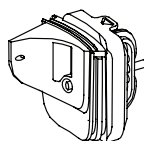
Level 1 Operation

Level 1 assembly consists of three chambers: inlet, outlet and regeneration chambers.

Hard water enters the inlet chamber and travels to the media tank where it is treated. Treated water moves from the media tank to the outlet chamber. Contained in the outlet chamber is a water meter turbine, which turns only when water is used. Gears connect the water meter turbine to the water meter disc. The system's meter gearing is defined as the volume of processed water needed to turn the water meter disc 360°.

Flow Nozzle

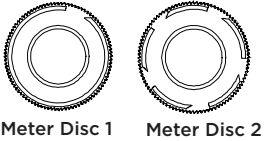
Accuracy and range of the flow meter will depend on the nozzle used with the system. Most units incorporate the half louver nozzle. This nozzle has a highly accurate and wide range of flow metering capability. If an alternative nozzle is used, a different meter volume per 360° on the water meter will result. To estimate this new volume, please refer to the chart below.



	Micro	Half Louver	Full Louver	Open Louver
Part Number	10880B	11018	11019	15653
Min. Flow Range	0.05 gpm	0.3 gpm	0.75 gpm	1.10 gpm
Max. Flow Range	5.00 gpm	25.00 gpm	40.00 gpm	50.00 gpm

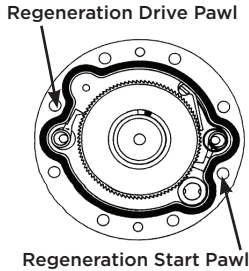
Estimated Gallons Between Regeneration (using a 1 disc)

Gearing Volumes	Micro	Half Louver	Full Louver	Open Louver
2-2-2-3	144	342	759	1,293
2-2-1-5	160	381	846	1,440
2-2-7-6	245	583	1,303	2,213
2-2-3-4	276	657	1,470	2,497
2-1-5-4	307	732	1,689	2,785
2-7-6-4	470	1,119	2,520	4,280
2-3-4-4	526	1,253	2,843	4,829
1-5-4-4	591	1,408	3,171	5,322
7-23-23-6	720	1,715	3,829	6,483
7-6-4-4	911	2,168	4,873	8,195
3-4-4-4	1,021	2,431	5,498	9,189
P20-P20-P14-P14-P14-P17	1,517	3,612	8,019	13,653
P20-P20-P14-P14-P13-P12	1,688	4,019	8,922	15,192
P20-P20-P14-P14-P15-P16	2,595	6,178	13,715	23,353
P20-P20-P14-P14-P17-P11	2,927	6,970	15,473	26,347
P20-P20-P14-P13-P12-P11	3,265	7,774	17,258	29,386
P20-P20-P14-P15-P16-P11	5,018	11,948	26,525	45,163
P20-P20-P14-P17-P11-P11	5,675	13,513	29,999	51,079
P20-P20-P13-P12-P11-P11	6,315	15,035	33,378	56,832
P20-P20-P15-P16-P11-P11	9,705	23,108	51,300	87,348



Meter Gearing

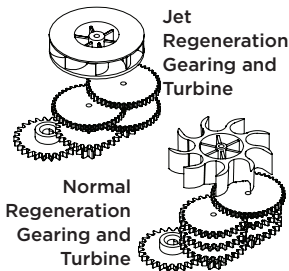
The frequency of regeneration can be adjusted without re-gearing the system. The use of the water meter disc provides for multiple regenerations per 360° cycle on the water meter. Each regeneration notch on a water meter disc will initiate a regeneration when the regeneration start pawl drops into one of these segments and engages with the teeth of the control disc. The number of regenerations within the 360° cycle is indicated by the number of the water meter disc.



Regeneration Pawls

It is important to realize that there are two regeneration pawls: the regeneration start pawl and the regeneration drive pawl. The regeneration start pawl advances the control disc enough to open the regeneration control valve. The water meter and control disc advance together until the control disc uncovers one of the holes in the ceramic disc located directly beneath the control disc. This opens the regeneration control valve, which starts regeneration. Once the valve has opened, the regeneration drive pawl continues to advance the control disc through the regeneration cycle.

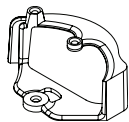
When open, the regeneration control valve allows water to pass through a nozzle where it is directed to the regeneration turbine in the regeneration chamber. As the regeneration turbine spins, it drives the regeneration drive pawl, which advances the control disc.



Jet Regeneration

During the regeneration, water is used by the valve to control the sequence. For units equipped with Jet Regeneration, a 0.2 gpm regeneration flow control is used to limit the amount of water used. In addition to this small flow control, the regeneration nozzle in the level 2 and the regeneration turbine in the level 1 are also modified to accept these lower flow rates.

The Jet feature is included with all CP Systems.



Gear Alignment Clip

The Gear Alignment Clip is used to keep optimal spacing between gears. This minimizes pressure loss and maximizes flow sensitivity.

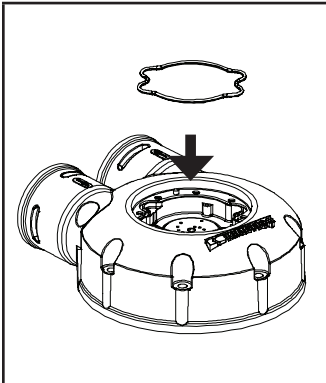
Control Disc

All internal valve positions are controlled by the Control Disc. As the control disc turns, it covers and uncovers holes in the ceramic disc (located directly below the control disc), sending pressure signals to open and close all internal valves. The sequence of regeneration and service configuration (Alternating or Overdrive) is based on the type of control disc installed.

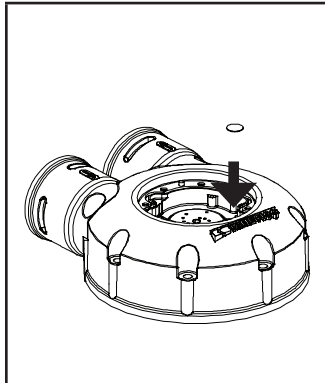


	White	Black	Tan
Part Number	4689	4700A	5565
Service Flow	Alternating	Alternating	Overdrive
Regeneration Sequence:			
Backwash	--	--	--
Brine • Slow Rinse	75 %	60 %	76 %
Backwash	25 %	40 %	24 %
Purge	--	--	--

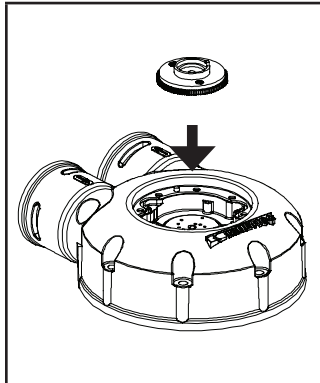
Control Disc, Screen and Seal



Place Cap Seal in groove.



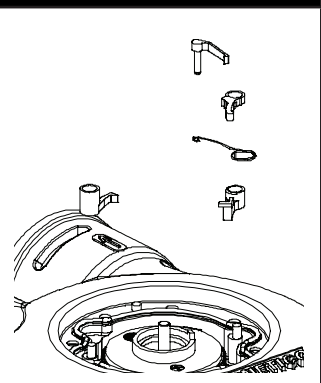
Insert Level One Screen into the hole at 5 o'clock position.



Set the Control Disc onto the ceramic disc, flat side down. The Support Pin goes through the hole in the center of the Control Disc.

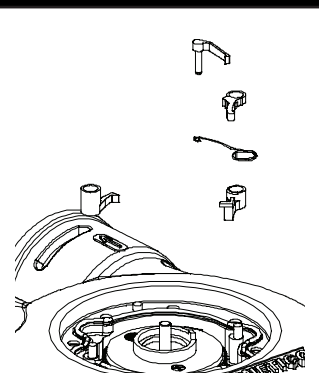
Pawls

Step 1



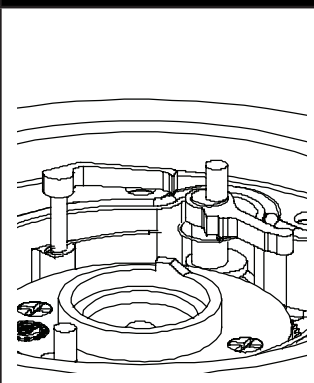
Place the Regeneration Drive Pawl onto the Eccentric Pin in the 10 o'clock position with the spring wire against the wall.

Step 2



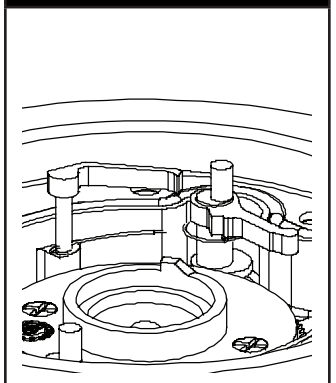
Place the Regeneration Start Pawl onto the Eccentric Pin in the 4 o'clock position with the spring wire against the wall.

Step 3



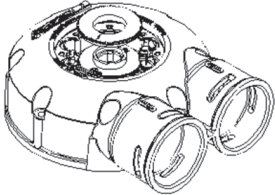
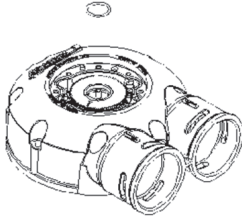
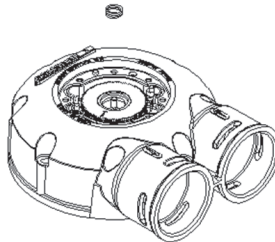
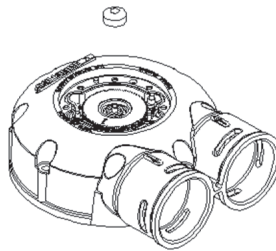
Drop the No-back Pawl leg into the small loop at one end of the Meter Drive Pawl Spring making sure that the vertical arm of the Meter Drive Spring is sticking up. Place the No-back Pawl leg into the small hole at the 2 o'clock position. Drop the large loop of the Meter Drive Spring over the eccentric pin at the 4 o'clock position.

Step 4

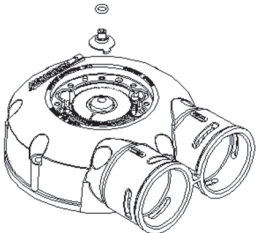
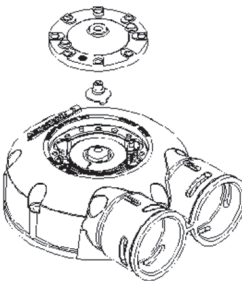
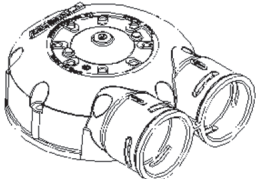
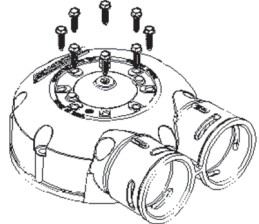


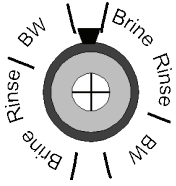
Place the Meter Drive Pawl on top of the Regeneration Start Pawl, making sure that the Meter Drive Spring vertical arm is placed in the notch on the Meter Drive Pawl as shown in the detail above.

Meter Disc and Balance Piston

Step 1	Step 2	Step 3	Step 4
			
<p>Force the Meter Drive Pawl against the side of Level 1. While holding the Meter Drive Pawl against the Level 1 side, place the Meter Disc on top of the Control Disc with number facing up. Make sure the meter disc lies flat against the control disc.</p>	<p>Place the Balance Piston O-ring in the groove on the Control Disc.</p>	<p>Set the Balance Piston Spring in the center of the cup on the Control Disc.</p>	<p>Place the Balance Piston on top of the Balance Piston Spring.</p>

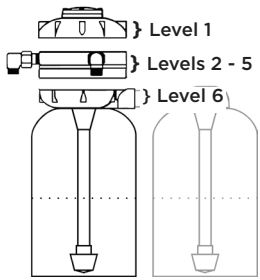
Cap

Step 1	Step 2	Step 3	Step 4
			
<p>Slide the Actuator O-ring down onto the Actuator.</p>	<p>Place the Actuator into the hole in the D.O. cap. There is enough friction that the Actuator will stay in the D.O. cap.</p>	<p>Place the D.O. cap on top of the Level 1 Assembly, making sure that the leg on the Cap goes over the Level 1 Screen at the 5 o'clock position.</p>	<p>Secure the D.O. cap with 8 cap screws.</p>



Control Disc Indicator

A visual indicator on top of the control disc (black dot) shows the state of the system at any time. The control disc rotates clockwise. When the indicator dot is at the 12 o'clock position, the Remote Tank is in service. When it is between the 12 o'clock and 6 o'clock positions, the Remote Tank is in regeneration. When the indicator dot is at the 6 o'clock position, the Main Tank is in service. When it is between the 6 o'clock and 12 o'clock positions, the Main Tank is in regeneration.

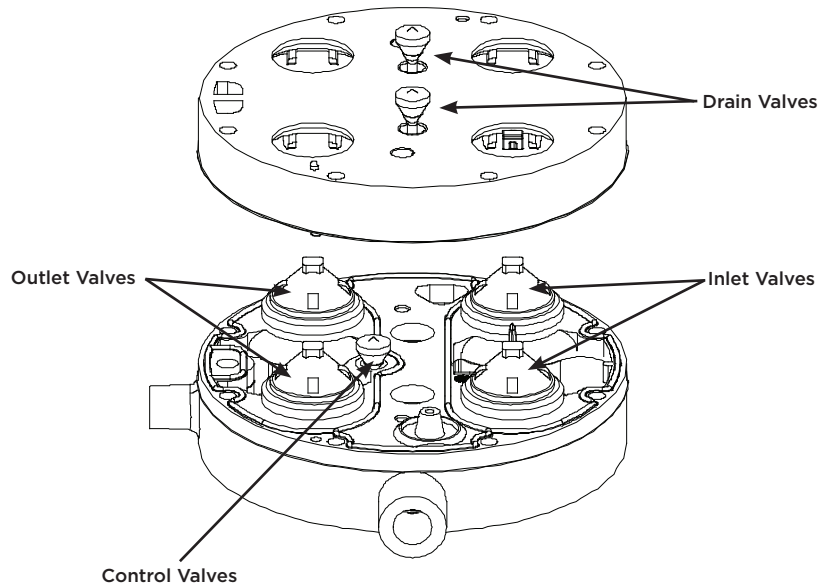
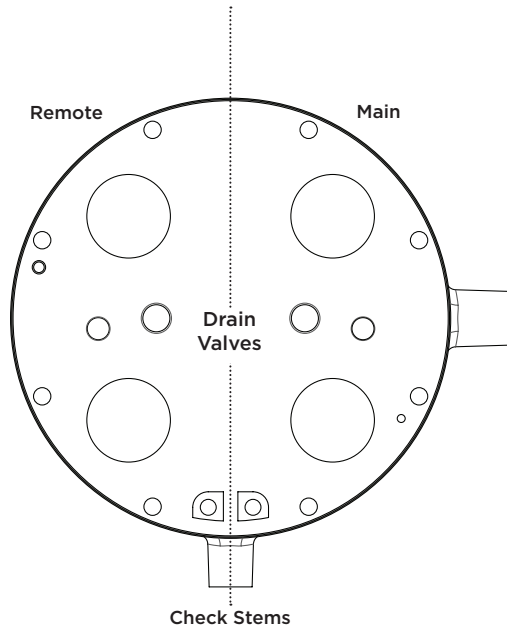


Lower Valving

The lower valving section consists of Level 2, Level 3, Level 4 and Level 5 assemblies.

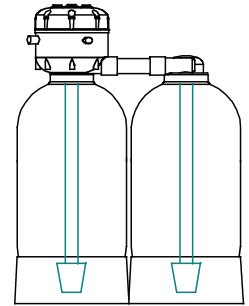
In the center, there is the regeneration control valve. This valve opens after 4 teeth on the control disc have engaged. This valve then opens, and powers the regeneration cycle.

All of the other valves are pairs: one set for the Remote Tank and one set for the Main Tank. For each media tank, there is an Inlet, Outlet, Drain and Check Stem Valve. The Inlet, Outlet and Drain valves are all servo valves controlled by the control disc. The Check Stems are simple one-way valves (check valves). Together, these valves control the flow of water into and out of each media tank during service and regeneration.



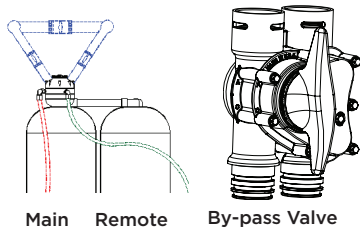
Level 6

CP Softeners utilize downflow service and countercurrent regeneration. Untreated water enters the valve and flows down through the resin, up the distributor tube and out to service. The regeneration flow is opposite to this.



Downflow

Additional System Components

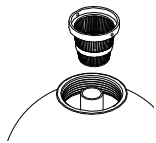


System By-pass

For each system, a by-pass is recommended. This can be installed using three ball valves or installing a Kinetico by-pass valve (Item #11351A). This allows the system to be isolated during any service operations. By-pass valving is not included as a part of the system package.

Resin Tanks

Each system uses two resin tanks. The main tank includes the Kinetico control valve. The secondary tank is referred to as the remote tank.



Upper Distributor

The distributor prevents channeling of the inlet stream into the top of the resin bed. A plastic molded distributor is attached to the top of the control valve. The distributor also prevents resin from backwashing out of the tanks.

Riser Tube

A riser tube is used to connect the lower distributor to the control valve. The riser tube is 1.0" in diameter. The CP 216s OD riser tube increases to 1.5".

Distributors

The lower distributors are of a slotted hub design. This cone provides for excellent flow distribution through the resin bed.

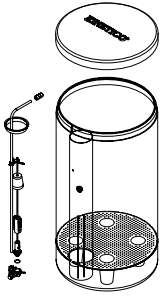
Media

High capacity, uniform bead resin is used in the compact commercial softeners. The resin has a capacity of 30,000 grains/ft³ when regenerated at a brine setting of 15 lb/ft³.

Tank Interconnection

Each twin tank system uses a set of inter-connectors to provide a water path from the main control valve to the remote tank. This interconnecting plumbing is included with the system package. It uses a double O-ring seal to provide a leak-free connection. A connector link and pins hold the tanks together under pressure.

Brine Tanks



Required with a standard system is a brine make-up tank. These tanks will accommodate loading of softener grade salt and provide water to dissolve brine into a saturated liquid form.

Softened water is delivered to the brine tank by the control valve during the normal regeneration sequence.

Brine tanks include an overflow connection to allow for a safety in case of tank overflow.

Also included with the brine tank is the brine valve. The brine valve is used to adjust the volume of brine to be produced for each cycle.

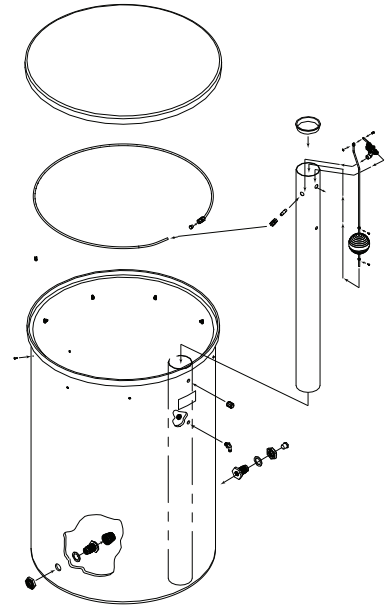
Central Brine System

For larger, multiple systems, a Central Brining System alternative is available. This will replace the need for multiple brine tanks when installing multiple units in parallel.

The Central Brining System has features similar to the independent brine tanks; however, to accommodate multiple systems, the brine refill is accomplished by a float mechanism attached to the softened water supply outlet of the system.

A check valve must be added to each softener on the brine line for the unit to operate properly with the Central Brining System.

- 4724AC/B Brine Drum, 24x48, Drilled
- 4726AC/B Brine Drum, 39x60, Drilled
- 4728AC/B Brine Drum, 50x60, Drilled
- 4781C/B Brine System Internals
- 7952C/B Brine Check Valve Kit



Valve Modifications for Central Brining Operation

Depending on the CP unit selected, the Venturi Throat may need to be changed. This will regulate the amount of salt used per regeneration.

Unit	No Modification		Recommended Valve Change	
	Throat	Salt per Cycle	Throat	Salt per Cycle
CP 208	Tan (3343)	8.5 lb	Dark Blue (2293)	5.5 lb
CP 210	White (1043)	30 lb	Tan (3343)	1.5 lb
CP 213	Yellow (6017)	42 lb	Clear (2379)	19 lb
CP 216	Yellow (6017)	42 lb	Black (1045)	35 lb

INSTALLATION

Getting Started

The following procedures have been developed to assist during the installation of your KineticoPRO Softener.



ALL STATE AND LOCAL PLUMBING CODES MUST BE MET, including, but not limited to:

Distances that equipment should be placed from the main panel box and electrical outlets.

Air gaps that must be provided for all drain lines.

Pre-installation Review

Before beginning the installation of the KineticoPRO system, confirm system configuration to be installed and components that have been ordered. Please review the KineticoPRO specification sheet that includes required components.

Review of the customer's facility is also recommended, especially critical operating data that could affect the operation of the system:



Water pressure to the KineticoPRO system affects the performance during regeneration. The KineticoPRO system will not operate properly if the inlet pressure fluctuates below a dynamic pressure of 25 psi. This minimum pressure must be maintained to the system at all times. Should the pressure fluctuate below this level, a booster pump may be required.



Do not use on water pressure that exceeds 125 psi or water temperature that exceeds 120° F.



Do not install the KineticoPRO Softener in an area where the temperature can cause the unit to freeze. Damage to the system will result.



It is recommended that a WQA certified installer perform the installation. Failure to install the system as instructed will void the warranty.



Proper ventilation must be provided when using PVC cleaner or glue.



An appliance dolly should be used when transporting equipment on stairways.



A prefilter should be used before a softener to prevent any foreign material from getting into the equipment.



VERY IMPORTANT! Where a brine drum overflow could cause damage, a 1/2" I.D. overflow line must be installed on the barbed fitting on drum and connected to a drain. Make sure the drain is not higher than barbed fitting.

NOTE: Clear area along wall where PVC drain line will be run to floor drain. Kinetico does not recommend running flexible tubing across the floor or along walls, as it may be kicked out of discharge point at floor drain, or line may become pinched resulting in improper backwashing.



When installing a plastic component in line, it is recommended that grounding straps be put in place **BEFORE** the lines are actually cut to ensure that the ground is never broken.



When installation is complete, plumbing lines must be chlorinated for sanitation. Common household bleach may be used. The amount of bleach will vary on plumbing size, lengths and fixtures. See page 25 for sanitization procedure.



On iron bearing water, a salt which contains resin cleaning additives is recommended. **(IMPORTANT! This does not apply to tannin units.)**

NOTE: A clean grade of salt is strongly recommended. Do not use rock salt.



Read all steps, guides and rules carefully before installing and using the KineticoPRO Softener.

KineticoPRO Softener Installation CP 208 - CP 216

I. Preparation



- A. The following tools and materials are needed for installation: Phillips screwdriver, crescent wrench, pipe wrench, pliers, pipe cutter, thread sealant / Teflon tape, ladder or step stool, drain line tubing and water softener salt.
- B. Determine location to install equipment. Make sure that the unit will be on a flat surface. Test the water to confirm unit is properly sized for installation. If sand/silt or turbidity is present, a separate pre-filter should be installed.



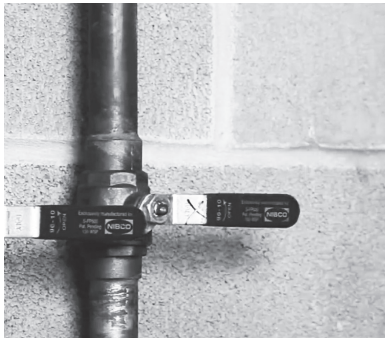
A ladder should be used for all work over head that would be beyond your natural reach. If working continuously at a height of six feet or more, the appropriate safety devices must be employed.

II. Inspection



Inspect all packaging for signs of damage. Examine the Tip-Tell indicator to ensure that no one has tipped the system. If the indicator shows otherwise, refuse the shipment. If the facility has already received the shipment, do not install the softener as it will not function properly. In either case, contact your representative for replacement equipment.

III. Turn off Water Supply



Before you begin, turn off the water that feeds the location where you'll be conducting the installation.



Caution: water heaters and recirculation pumps may require isolation during this process to prevent damage. Be sure to discuss with the site manager to determine the best course of action.

IV. Set Equipment in Place



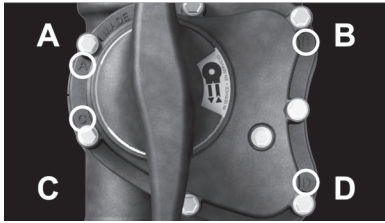
- A. Set the equipment in place so you can determine the best plumbing orientation.
- B. **FOR MEDIA INSTALLATION:** Remove module and remote bases from media tanks.
 - Properly cover the distributor tubes to prevent media from getting inside.
 - For the Model CP 213, place 25 lb or 0.25 ft³ of gravel into each tank. For the Model CP 216, place 75 lb or 0.75 ft³ of gravel into each tank. No underbedding is used in Models CP 208 and CP 210.
 - For the Model CP 208, place 0.70 ft³ of high capacity resin into each tank. (This should leave 15" of freeboard). For the Model CP 210, place 1.50 ft³ (1 1/2 bags) of high capacity resin into each tank. (This should leave 15" of freeboard). For the Model CP 213, place 2.5 ft³ (2 1/2 bags) of high capacity resin into each tank. (This should leave 14" of freeboard). For the Model CP 216, place 4.0 ft³ (4 bags) of high capacity resin into each tank leaving 18" of freeboard. Freeboard depths are estimates, and will change with settling and the form of resin.
 - Remove covering from distributor tubes, and replace the module and remote bases onto tanks.

Note: the CP 216 has an adapter with distributor that must first thread onto the tank before the module is installed.

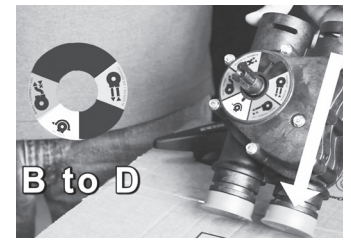
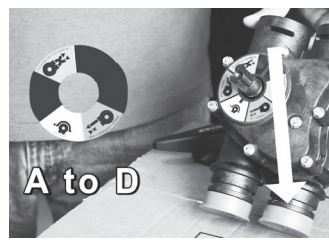
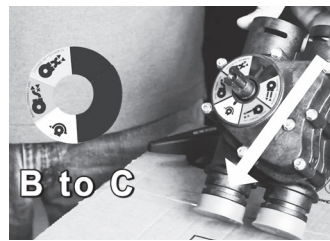
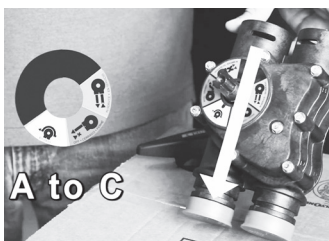
V. Connect System

Option 1 - Prepare the Kinetico By-pass Valve (Item # 11351A sold separately)

NOTE: Each port on the by-pass valve carries a specific letter designation you'll use for identification.



- A. Determine which port on the by-pass valve will accept the raw water connection. You can select either the A port or the B port.
- B. Next, determine which port on the by-pass valve will connect to the system inlet. You can select either the C port or the D port.
- C. Turn the handle until the yellow by-pass indicator shows in the viewing window and remove the handle by pulling it away from the valve body. Remove the handle.
- D. The by-pass valve allows you to choose from four installation configurations. To configure your valve, first locate the blackout decal located in the installation kit. You'll apply the decal to the indicator wheel based on the flow configuration you've chosen to allow users to select the proper valve modes and black out those they shouldn't use.



- E. Look on the underside of the handle and align the keyed area properly with the shaft. Push the handle until it snaps into place.




- F. Prepare the by-pass valve by first lubricating and installing all necessary o-rings onto the adapter elbows. Next install the o-rings onto the by-pass valve itself.
- G. There are specific left and right elbows. Install the adapter elbows onto the by-pass valve. Install the left elbow onto the D port. Install the right elbow onto the C port. Install E-clips here.
- H. Insert the entire by-pass assembly into the softener.



- I. Insert the plumbing adapters into the by-pass valve. Dry fit connections in order to determine the best place to cut into the plumbing to connect the in and out ports.
- J. Once measurements are taken, remove the adapters from the by-pass valve. Move the softener away from the plumbing and remove the entire by-pass assembly, first removing the E-clips. Do not sweat any plumbing with the by-pass valve attached.



- K.  When soldering, the following must be met and followed:
- LEAD FREE solder must be used.
 - PVC containers and other flammable materials must be closed or removed to prevent fire or explosions.
 - Loose clothing (ie: shirttails, sleeves, etc.) should not be worn or should be addressed before using a torch for soldering.
 - The customer must be notified if you will be disabling smoke alarm(s) during installation. Be sure to reconnect the smoke alarm(s).
 - A scorch pad must be used to protect any surface that may be exposed to a torch flame or excessive heat. Wear protective eyewear while installing to prevent eye injury caused by splattering soldering materials or metal/plastic shavings.
 - Do not solder brass adapters while inserted in the module main base. Damage to the plastic and rubber parts may occur due to the heat and may result in water damage.
 - The materials used in the soldering process may attack certain types of plastics. Care should be taken during the installation process to assure that solder and flux do not come in contact with media tanks, the control module, E-clips and related plastic components.



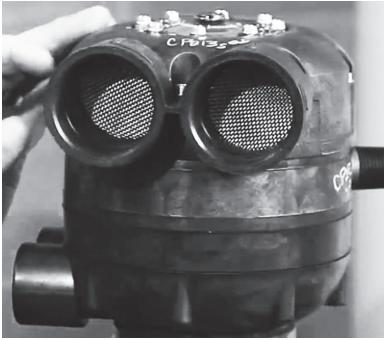
- L. Cut and route the plumbing, and install the necessary adapters. Be sure to follow all codes.
- M. Once the plumbing has cooled, lubricate and install O-rings onto the four grooves on the plumbing adapters



- N. Connect the by-pass valve assembly to the plumbing adapters using the clips provided. Make certain that clips are fully seated in all slots.



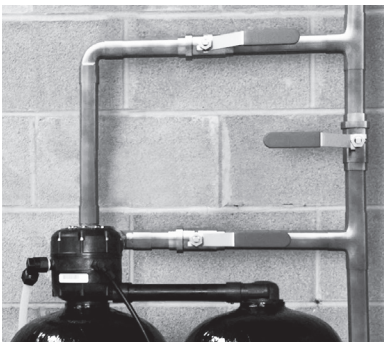
- O. After you install the by-pass components but before you attach the system, flush the lines by briefly opening the proper valves to rinse debris from the installation process. Flushing enough water to fill a five-gallon bucket is a good general guideline to follow. Then, close the valve again.




- P. It is recommended that screens (item #11456) are installed in the inlet and outlet port on the softener control module.
- Q. Now connect the softener to the inlet and outlet elbows on the by-pass valve by pushing it into place.
- R. Install e-clips to connect the by-pass valve to the control valve.
 - It is important that the E-clips are fully inserted into the Kinetico Control Valve. Check that all 3 tabs on the E-clips are fully inserted. Do not reuse the old E-clips, replace with new E-clips.

VI. Connect System

Option 2 - Plumb a 3-Valve By-pass



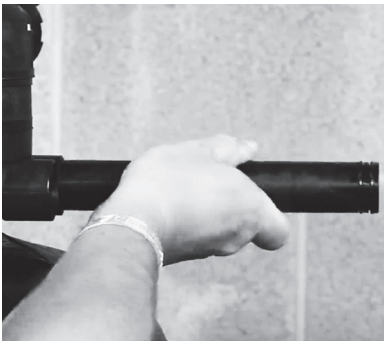
- A. If a Kinetico by-pass valve is not used with the equipment, plumb a 3-valve by-pass that allows you to isolate the system.
- B. Insert the plumbing adapters into the softener control module.
- C. Dry fit connections in order to determine the best place to cut into the plumbing to connect the in and out ports of the softener control module.
- D. Once measurements are taken, remove the adapters from the control module. Move the softener away from the plumbing.

- E.  When soldering, the following must be met and followed:
 - LEAD FREE solder must be used.
 - PVC containers and other flammable materials must be closed or removed to prevent fire or explosions.
 - Loose clothing (ie: shirttails, sleeves, etc.) should not be worn or should be addressed before using a torch for soldering.
 - The customer must be notified if you will be disabling smoke alarm(s) during installation. Be sure to reconnect the smoke alarm(s).
 - A scorch pad must be used to protect any surface that may be exposed to a torch flame or excessive heat. Wear protective eyewear while installing to prevent eye injury caused by splattering soldering materials or metal/plastic shavings.
 - Do not solder brass adapters while inserted in the module main base. Damage to the plastic and rubber parts may occur due to the heat and may result in water damage.
 - The materials used in the soldering process may attack certain types of plastics. Care should be taken during the installation process to assure that solder and flux do not come in contact with media tanks, the control module, E-clips and related plastic components.
- F. Cut and route the plumbing and install the necessary adapters. Be sure to follow all codes.
- G. Once the plumbing has cooled, lubricate and install O-rings onto the four grooves on the plumbing adapters.
 - After you install the by-pass components but before you attach the system, flush the lines by briefly opening the proper valves to rinse debris from the installation process. Flushing enough water to fill a five-gallon bucket is a good general guideline to follow. Then, close the valve again.
 - Connect the softener control module to the plumbing adapters using the E-clips provided.
 - i. It is important that the E-clips are fully inserted into the Kinetico Control Valve. Check that all 3 tabs on the E-clips are fully inserted. Do not reuse the old E-clips, replace with new E-clips.

VII. Connect Softening Tanks



- A. Locate the two connector pipes with O-rings already attached, silicone lubricant, connector pins and connector links.



- B. Now apply lubricant to the O-rings on the connector pipes, ensuring complete coverage.
C. Insert the connector pipes into the ports on the softener control module.



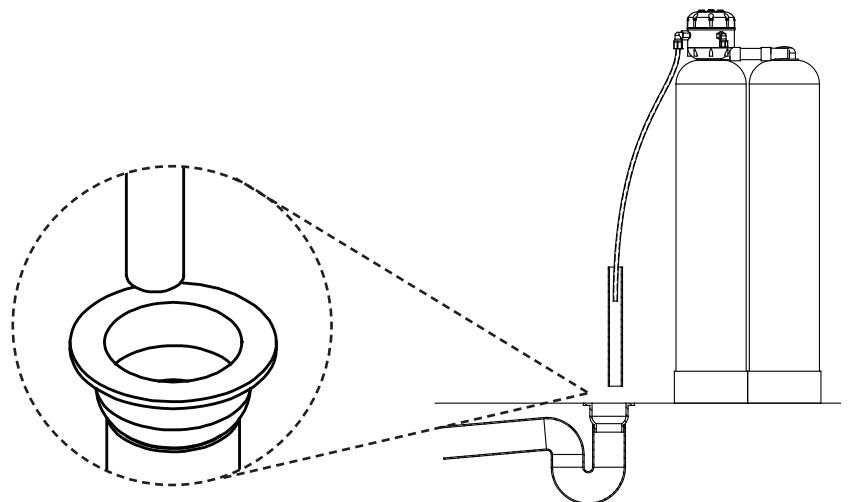
- D. Next, position the second softening tank and attach onto the connector pipes. Be sure all connections are fully seated. Secure the connection using the links and pins provided. Use both connector links and pins.

VIII. Run the Drain Line


- A. Now, you'll run the drain line from the softener to a discharge point using 5/8" white plastic tubing. Common options include: running the drain line to a floor drain or stand pipe.



Provide an air gap for all drain lines. Waste connections or drain outlets shall be designed and constructed to provide for connection to the sanitary waste system through an air gap of 2 pipe diameters or 1" (25 mm), whichever is larger. For drains that need to run below the lowest point of the tank, an air gap must be included to prevent a vacuum.



If a system is installed in a multi-story building where the drain runs below the lowest point of the tank or if there is a chance of backflow, a vacuum breaker on the softener's inlet plumbing is recommended. Check local and state plumbing codes for the proper setup of drain line air gaps.

 Do not route softener drain line more than 8 feet vertically from the top of the softener or more than 30 feet in total. On drain lines for the CP 213 & 216 that must travel more than 8 feet up and 30 feet over, it is best to take the 3/8" drain line that fits the valve and attach it in a larger diameter line or pipe. The CP 208 & 210 will use 1/2" drain line. This will eliminate chances of restrictions. Running drain line higher than 10 feet will inhibit the ability of the system to draw brine.



- B. Apply Teflon tape to both male threaded fittings on the side of the softener control module.



- C. Locate the proper fittings in the installation kit and install them onto the male threads.
- D. Insert the drain line into the drain fitting. Make sure it is seated fully. Hand tighten fitting until snug then tighten 1 1/2 to 2 turns with a wrench to fully seat. Do not over tighten. Leave the other fitting for now. You'll return to it later during the installation process.



NOTE: Be sure to avoid kinks or obstructions, both of which will prevent the system from operating properly.

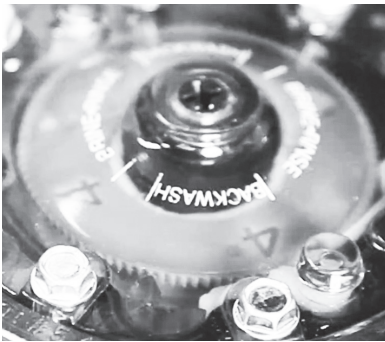
IX. Setting Your System

A. Test Your Water

The first and most important step in setting your system is to start with a proper water test. At a minimum, water should be tested for hardness and iron. These two contaminants play a critical role in the operation of your softener. Hardness will be measured in grains/gal, mg/L or degrees hardness and iron will be measured in mg/L. When measuring iron, a total iron amount is needed, however, one should note whether the iron is in the ferrous (clear water) or ferric (precipitated) form. Iron in the ferrous form will be removed by iron exchange and will need to be included with your loading calculation (added iron to your hardness produces a compensated hardness number). To calculate your compensated hardness:

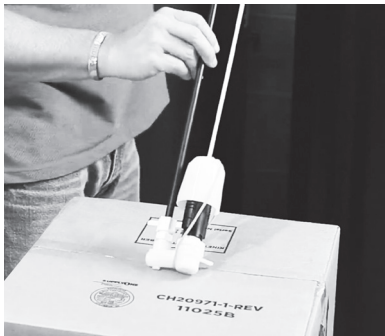
- i. $\text{Hardness in grains/gal} + (3 \times \text{Iron in mg/L}) = \text{compensated hardness in grains/gal}$
- ii. $\text{Hardness in mg/L} + (51 \times \text{Iron in mg/L}) = \text{compensated hardness in mg/L}$
- iii. $\text{Hardness in ppm} + (51 \times \text{Iron in mg/L}) = \text{compensated hardness in ppm}$
- iv. $\text{Hardness in } ^\circ\text{dH} + (3 \times \text{Iron in mg/L}) = \text{compensated hardness in } ^\circ\text{dH}$
- v. $\text{Hardness in } ^\circ\text{fH} + (5 \times \text{Iron in mg/L}) = \text{compensated hardness in } ^\circ\text{fH}$

B. Now, you'll prepare the softener control valve to ensure proper water metering. Find the compensated hardness of the water supply in the disc selection chart on the bottom of the data sheets on pages 26-29.

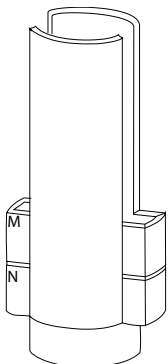


- C. Check the meter disc under the amber cap on the softener control valve. If the proper meter disc is not already installed in the system, you'll replace it with the appropriate numbered disc located in the installation kit using the following steps:
- D. To change the meter disc:
 - First remove the 8 screws and clear cap from the top of the softener control valve.
 - Next remove the balance piston and spring from the center of the valve.
 - Now gently move the meter drive pawl to disengage the meter disc.
 - Then you can remove the meter disc and replace it with the new meter disc.
 - Reassemble the control area by replacing the spring and balance piston.
 - Then replace the clear cap and screws. To avoid stripping the screw threads, turn screws counterclockwise until they drop slightly as the threads engage. Then tighten all screws evenly using a traditional cross tightening pattern by first tightening one screw, then the screw directly across from it. Repeat until you've tightened all screws. Use hand tools only. Do not use power tools to tighten these screws or you risk damaging the cap.

X. Adjust Your Salt Dose



- A. Position the salt storage drum near the system and remove the lid.
- B. Remove the brine valve from the brine well located inside the brine drum, so you can set it properly.



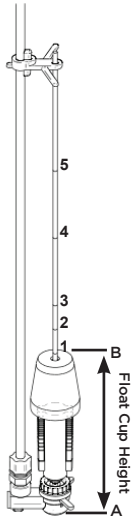
Adjuster Tube
(setting = M)

C. Adjust Your Salt Dose

There are two components to setting your salt dose, the adjuster tube and the float cup. To create the proper salt dosage, both adjuster tube and float cup need to be set. In some brining systems, no adjuster tube may be used. **Use the chart on pages 30-32 to determine the correct settings for your system based on the brine drum size.**

i. Adjuster Tube

The Adjuster Tube is set by cutting and removing tabs on both sides of the tube. Using a pocket-knife, cut across each tab horizontally, following the channel in the plastic, and break off each tab individually until the proper setting is reached. The remaining number or letter imprinted on the tab determines the correct setting. The drawing at right shows an Adjuster Tube at setting "M".



ii. **Float Cup**

The Float Cup is set by adjusting the height above the bottom of the Brine Valve Assembly. If a standard setting is used (S1-S5), then align the top of the float cup to the standard setting. Where a standard setting is not adequate, the actual Float Cup height must be measured and set according to the specified height, measured from A to B, as shown in the Cup settings figure on the left.



- D. Return the brine valve assembly to the well inside the brine drum. Be certain not to bump the float cup and accidentally alter the float setting. Make sure that the bent tube snaps into the slot on the back of the drum and that the valve is fully seated. Then secure the brine well cap.



- E. Remove the 3/8" brine line tubing from the brine drum. Attach one end of the brine line tubing to the bent tube assembly on the brine valve. Make sure the tubing is fully seated in the fitting. Connect the other end to the open fitting on the softener control valve. Hand tighten fitting until snug then tighten 1 1/2 to 2 turns with a wrench to fully seat. Do not over tighten. You should generally limit the brine line length to 6 feet, although greater distances may be permissible depending on different parameters including inlet pressure.



- F. Attach the safety overflow line to the barbed fitting on the brine drum and run it to a drain. Since this overflow line is not pressurized, you must route it to allow gravity to drain an overflow.

XI. Sanitizing the System

KineticoPRO water systems are intended for use on microbiologically safe water supplies. If the inlet water supply's safety is compromised for any reason (for example a "Boil Alert" from a municipal supply or positive bacteria test on a well), you should by-pass the system until bacteriological safety has been restored.

NOTE: When installation is complete, chlorinate plumbing lines and softener for sanitation. You may use common household bleach. The amount of bleach will vary depending on plumbing size, length and fixtures.

Recommended Softener Sanitation Procedure:

1. In a bucket, mix the designated amount of unscented household bleach in clean/soft water. This should make a 100 ppm solution. A table is provided below, which gives the gallons of solution required for each of the 2 tanks.
Note: If each tank requires more than 4 gallons of solution, it is recommended to use 2 buckets.

Model	CP208	CP210	CP213	CP216
Size of Tanks	8 x 40	10 x 54	13 x 54	16 x 65
Solution Per Tank (gallons)	1	2	3	4
Bleach Per Tank (ounces)	.25	.5	.75	1
Total Solution (gallons)	2	4	6	8
Total Bleach Required (ounces)	0.5	1	1.5	2

2. Disconnect the brine line and place the 3/8" tube into the container holding the bleach mixture from the step above.
3. Place the unit into brine draw on one tank.
4. Draw the mixture until a strong bleach odor is detected (smelled or tested) in the drain line discharge. This procedure should produce approximately 20 ppm in the mixed solution. If necessary, insert 3/8" tube in the 2nd bucket of solution and draw into the tank after the 1st bucket is depleted, based on the required solution per tank listed in step #1.
5. Switch quickly to the other tank and repeat the procedure, using the first bucket and/or switching to the second bucket of solution (if necessary). Be sure to draw the required solution per tank as listed above in step #1.
6. Advance the control disc to the service position and allow the unit to stand for 30-60 minutes. The colder the water, the longer the stand time should be.
7. Reconnect the brine line (3/8" tube) to the brine tank and backwash each tank of the softener two times.

XII. Bring System Online



- A. Fill the brine drum with clean water softener salt. Use evaporated salt only in the form of compacted pellets, cubes, or blocks. Do NOT use rock salt, solar salt or other dirty salts as they will hamper system performance and damage the system. Replace the brine drum lid.
- B. Make sure the by-pass valve is set to the open or green position.
- C. Open the inlet valve very slowly and allow the system to slowly fill with water and pressurize. Water will run through the drain line temporarily.
- D. Open a soft water tap and purge the lines of air and color. Close the tap after you have sufficiently purged the lines.
- E. Check all plumbing connections for leaks when the system is fully pressurized.

XIII. Manual Regeneration

Manual Regeneration

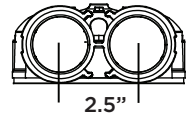


If your salt storage tank does run out of salt, you can manually regenerate the unit after adding salt, or you can wait for it to go through regeneration automatically.

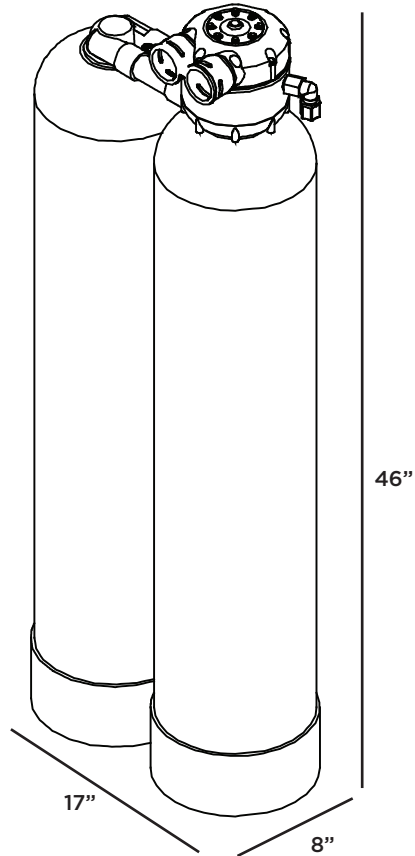
Using a #2 Phillips screwdriver, push down firmly on the softener valve screw and slowly turn clockwise until the actuator has advanced the indicator dot to the "Brine" position. You should hear at least five "clicks" while turning the screw before the indicator dot reaches the "Brine" position. At this point you should hear water begin to run through the system. If you do not hear water running through the system, the indicator dot has not been advanced far enough. Repeat the procedure for manual regeneration after the water flow stops to be sure both resin tanks are regenerated.

NOTE: If your hot water tank has refilled with hard water, it may take several days for it to empty and for your water to feel soft again.

CP 208s OD Data Sheet



System Components	
Media Vessel (qty) Size	(2) 8" x 40"
Media Vessel Construction	Wrapped Polyethylene
Empty Bed Volume	1.04 ft ³
Media	0.70 ft ³ Non Solvent Cation Resin
Bed Depth / Free Board	25" / 15"
Riser Tube	1" ABS
Distributor	
Upper	0.014" Slots, ABS Basket
Lower	0.014" Slots, ABS Basket
Under Bedding	None
Regeneration Control	Non-electric Use Meter
Regeneration Type	Countercurrent
Meter Type	0.75 - 40.00 gpm Polypropylene Turbine (Kinetic Full Louver Flow Nozzle)
Inlet Water Quality	
Pressure Range	25 - 125 psi Dynamic Pressure
Temperature Range*	35 - 120° F
pH Range	5 - 10 SU
Free Chlorine Cl ₂ (MAX)	0.0 mg/L
Hardness as CaCO ₃ (MAX)	29 grains/gal
Operating Specifications	
Flow Rate - Overdrive (15 psid)	20.5 gpm
Flow Rate - Overdrive (30 psid)	30.0 gpm
Flow Rate - Alternating (15 psid)	11.5 gpm
Flow Rate - Alternating (30 psid)	18.0 gpm
Dimensions (width x depth x height)	17" x 8" x 46"
Weight (Operating / Shipping)	200 / 140 lb
Connections	
Inlet / Outlet Connections	Custom Adapter and E-Clip (1 1/2" Brass Sweat Fittings Included)
Drain Connection	0.5" Tube
Brine Line Connection	0.375" Tube
Power	None
System Part Numbers	
CP 208s OD, 18x35 brine tank	11701
CP 208s OD, no brine tank	11700
CP 208s OD, empty, no brine tank	11702
Regeneration Specifications	
Regeneration Volume / Time	35 gal / 45 min
Backwash Flow Control	2.00 gpm
Brine Refill Flow Control	0.40 gpm



*WRAS APPROVAL - COLD WATER USE ONLY

Brine Tank Options

Tank Description	12x40	18x35
Brine Tank Part Number	1479B	7938A
Tank Height	40"	35"
Tank Footprint	12" DIA	18" DIA
Material	HDPE	HDPE
Salt Capacity	100 lb	250 lb

Overdrive Operation

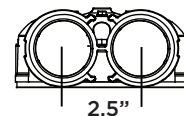
Setting	Capacity	Efficiency	Dosing	Meter Disc	Disc Selection (Compensated Hardness*)							
					1	2	3	4	5	6	7	8
4.0 lb	14,668 grains	3,667 grains/lb	5.7 lb/ft ³		3	6	9	12	14	17	20	23
4.4 lb	15,501 grains	3,523 grains/lb	6.3 lb/ft ³		4	7	9	12	15	18	21	24
Peak flow during regeneration					20.5	20.5	20.5	14.8	11.3	8.9	7.2	5.9

Alternating Operation

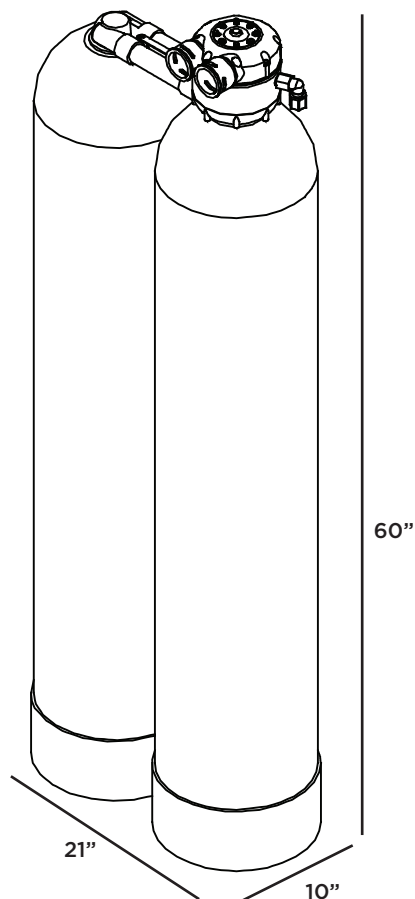
Setting	Capacity	Efficiency	Dosing	Meter Disc	Disc Selection (Compensated Hardness*)							
					1	2	3	4	5	6	7	8
2.7 lb	12,481 grains	4,622 grains/lb	3.8 lb/ft ³		3	6	9	12	14	15	20	23
4.0 lb	15,813 grains	3,953 grains/lb	5.7 lb/ft ³		4	8	11	15	19	22	25	29
Flow during regeneration (@15 psig):					11.5	11.5	11.5	11.5	11.3	8.9	7.2	5.9
Gallons / Regeneration:					3,171	1,586	1,057	793	634	529	453	396

*Compensated hardness in grains/gal = Hardness + (3 x Fe in mg/L)

CP 210s OD Data Sheet



System Components	
Media Vessel (qty) Size	(2) 10" x 54"
Media Vessel Construction	Wrapped Polyethylene
Empty Bed Volume	2.19 ft ³
Media	1.50 ft ³ Non Solvent Cation Resin
Bed Depth / Free Board	39" / 15"
Riser Tube	1" ABS
Distributor	
Upper	0.014" Slots, ABS Basket
Lower	0.014" Slots, ABS Basket
Under Bedding	None
Regeneration Control	Non-electric Use Meter
Regeneration Type	Countercurrent
Meter Type	0.75 - 40.00 gpm Polypropylene Turbine (Kinetic Full Louver Flow Nozzle)
Inlet Water Quality	
Pressure Range	25 - 125 psi Dynamic Pressure
Temperature Range*	35 - 120° F
pH Range	5 - 10 SU
Free Chlorine Cl ₂ (MAX)	0.0 mg/L
Hardness as CaCO ₃ (MAX)	80 grains/gal
Operating Specifications	
Flow Rate - Overdrive (15 psid)	21.0 gpm
Flow Rate - Overdrive (30 psid)	31.0 gpm
Flow Rate - Alternating (15 psid)	12.0 gpm
Flow Rate - Alternating (30 psid)	19.0 gpm
Dimensions (width x depth x height)	21" x 10" x 60"
Weight (Operating / Shipping)	350 / 175 lb
Connections	
Inlet / Outlet Connections	Custom Adapter and E-Clip (1 1/2" Brass Sweat Fittings Included)
Drain Connection	0.5" Tube
Brine Line Connection	0.375" Tube
Power	None
System Part Numbers	
CP 210s OD, 18x35 brine tank	11704
CP 210s OD, no brine tank	11703
CP 210s OD, empty, no brine tank	11705
Regeneration Specifications	
Regeneration Volume / Time	102 gal / 90 min
Backwash Flow Control	3.00 gpm
Brine Refill Flow Control	0.70 gpm



Brine Tank Options

Tank Description	12x40	18x35
Brine Tank Part Number	1479B	7938A
Tank Height	40"	35"
Tank Footprint	12" DIA	18" DIA
Material	HDPE	HDPE
Salt Capacity	100 lb	250 lb

Overdrive Operation

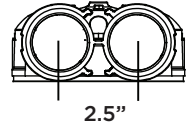
Setting	Capacity	Efficiency	Dosing	Meter Disc	Disc Selection (Compensated Hardness*)							
					1	2	3	4	5	6	7	8
10 lb	37,270 grains	3,727 grains/lb	6.6 lb/ft ³		7	13	17	23	29	33	38	43
15 lb	51,630 grains	3,442 grains/lb	10.0 lb/ft ³		9	15	23	30	38	44	53	60
Peak flow during regeneration					21.0	19.6	12.5	8.9	6.8	5.3	4.3	3.6

Alternating Operation

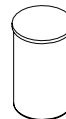
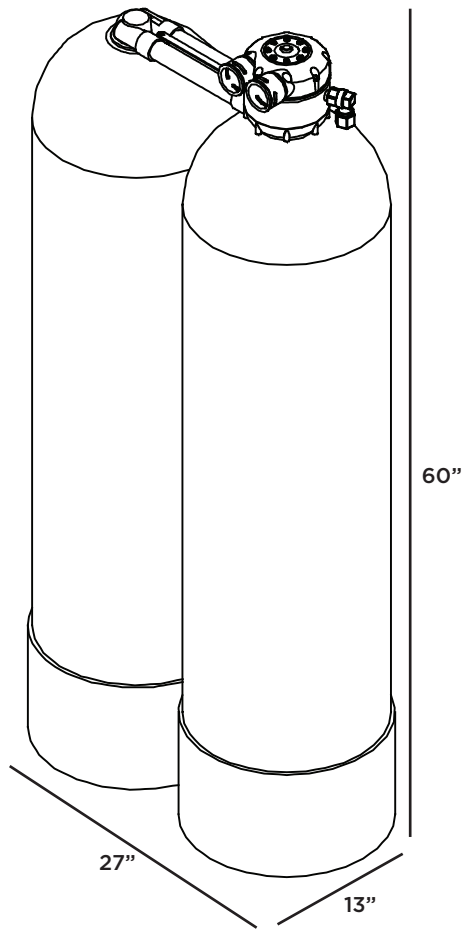
Setting	Capacity	Efficiency	Dosing	Meter Disc	Disc Selection (Compensated Hardness*)							
					1	2	3	4	5	6	7	8
10 lb	41,087 grains	4,108 grains/lb	6.6 lb/ft ³		8	16	22	29	35	40	45	50
15 lb	42,611 grains	2,840 grains/lb	10.0 lb/ft ³		10	20	30	40	50	60	70	80
Flow during regeneration (@15 psig):					12.0	12.0	12.0	8.9	6.8	5.3	4.3	3.6
Gallons / Regeneration:					3,829	1,915	1,276	957	766	638	547	479

*Compensated hardness in grains/gal = Hardness + (3 x Fe in mg/L)

CP 213s OD Data Sheet



System Components	
Media Vessel (qty) Size	(2) 13" x 54"
Media Vessel Construction	Wrapped Polyethylene
Empty Bed Volume	3.68 ft ³
Media	2.50 ft ³ Non Solvent Cation Resin
Bed Depth / Free Board	40" / 14"
Riser Tube	1" ABS
Distributor	
Upper	0.014" Slots, ABS Basket
Lower	0.014" Slots, ABS Basket
Under Bedding	0.24 ft ³ (24 lb), 1/4 x 1/8 Gravel
Regeneration Control	Non-electric Use Meter
Regeneration Type	Countercurrent
Meter Type	0.75 - 40.00 gpm Polypropylene Turbine (Kinetico Full Louver Flow Nozzle)
Inlet Water Quality	
Pressure Range	25 – 125 psi Dynamic Pressure
Temperature Range*	35 – 120° F
pH Range	5 – 10 SU
Free Chlorine Cl ₂ (MAX)	0.0 mg/L
Hardness as CaCO ₃ (MAX)	51 grains/gal
Operating Specifications	
Flow Rate - Overdrive (15 psid)	28.0 gpm
Flow Rate - Overdrive (30 psid)	40.0 gpm
Flow Rate - Alternating (15 psid)	20.0 gpm
Flow Rate - Alternating (30 psid)	30.0 gpm
Dimensions (width x depth x height)	27" x 13" x 60"
Weight (Operating / Shipping)	450 / 300 lb
Connections	
Inlet / Outlet Connections	Custom Adapter and E-Clip (1 1/2" Brass Sweat Fittings Included)
Drain Connection	0.625" Tube
Brine Line Connection	0.375" Tube
Power	None
System Part Numbers	
CP 213s OD, 24x40 brine tank	11750
CP 213s OD, 24x40 brine tank, media separate	11180A
CP 213s OD, empty, no brine tank	11184
CP 213s OD, no brine tank, media filled	11190
Regeneration Specifications	
Regeneration Volume / Time	142 gal / 90 min
Backwash Flow Control	5.00 gpm
Brine Refill Flow Control	0.70 gpm



*WRAS APPROVAL - COLD WATER USE ONLY

Brine Tank Options

Tank Description	24x40
Brine Tank Part Number	10586A
Material	HDPE
Salt Capacity	500 lb

Overdrive Operation

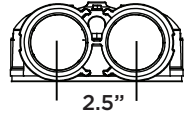
Setting	Capacity	Efficiency	Dosing	Meter Disc	Disc Selection (Compensated Hardness*)							
					1	2	3	4	5	6	7	8
15 lb	60,000 grains	4,000 grains/lb	6.0 lb/ft ³		5	10	14	17	21	25	30	35
25 lb	70,000 grains	2,800 grains/lb	10.0 lb/ft ³		6	12	16	20	24	30	35	40
Peak flow during regeneration					28.0	28.0	28.0	20.7	15.7	12.4	10.0	8.3

Alternating Operation

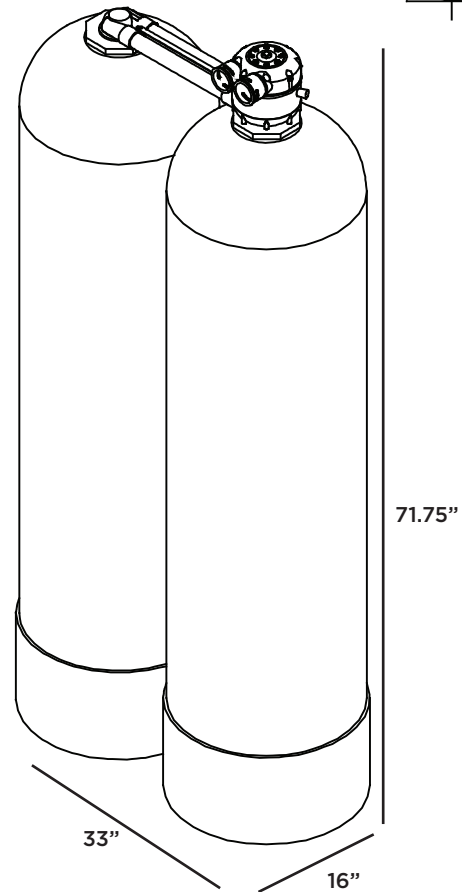
Setting	Capacity	Efficiency	Dosing	Meter Disc	Disc Selection (Compensated Hardness*)							
					1	2	3	4	5	6	7	8
15 lb	60,000 grains	4,000 grains/lb	6.0 lb/ft ³		6	12	18	24	30	35	40	45
25 lb	70,000 grains	2,800 grains/lb	10.0 lb/ft ³		7	14	21	28	34	40	45	51
Flow during regeneration (@15 psig):					20	20	20	20	15.7	12.4	10.0	8.3
Gallons / Regeneration:					8,922	4,461	2,974	2,231	1,784	1,487	1,275	1,115

*Compensated hardness in grains/gal = Hardness + (3 x Fe in mg/L)

CP 216s OD Data Sheet



System Components	
Media Vessel (qty) Size	(2) 16" x 65"
Media Vessel Construction	Wrapped Polyethylene
Empty Bed Volume	6.55 ft ³
Media	4.0 ft ³ Non Solvent Cation Resin
Bed Depth / Free Board	47" / 18"
Riser Tube	1" ABS
Distributor	
Upper	0.012" Slots, Noryl Basket
Lower	0.014" Slots, ABS Basket
Under Bedding	0.75 ft ³ (75 lb), 1/4 x 1/8 Gravel
Regeneration Control	Non-electric Use Meter
Regeneration Type	Countercurrent
Meter Type	1.10 - 50.00 gpm Polypropylene Turbine (Kinetic Full Louver Flow Nozzle)
Inlet Water Quality	
Pressure Range	25 – 125 psi Dynamic Pressure
Temperature Range*	35 – 120°F
pH Range	5 – 10 SU
Free Chlorine Cl ₂ (MAX)	0.0 mg/L
Hardness as CaCO ₃ (MAX)	49 grains/gal
Operating Specifications	
Flow Rate - Overdrive (15 psid)	35.0 gpm
Flow Rate - Overdrive (30 psid)	47.0 gpm
Flow Rate - Alternating (15 psid)	23.0 gpm
Flow Rate - Alternating (30 psid)	33.0 gpm
Dimensions (width x depth x height)	33" x 16" x 71.75"
Weight (Operating / Shipping)	650 / 450 lb
Connections	
Inlet / Outlet Connections	Custom Adapter and E-Clip (1 1/2" Brass Sweat Fittings Included)
Drain Connection	0.625" Tube
Brine Line Connection	0.375" Tube
Power	None
System Part Numbers	
CP 216s OD, 24x40 brine tank	11182
CP 216s OD, no brine tank, media separate	11168A
CP 216s OD, empty, no brine tank	11186
Regeneration Specifications	
Regeneration Volume / Time	160 gal / 90 min
Backwash Flow Control	7.00 gpm
Brine Refill Flow Control	0.70 gpm



Brine Tank Options

Tank Description	24x40
Brine Tank Part Number	10586A
Material	HDPE
Salt Capacity	500 lb

Overdrive Operation

Setting	Capacity	Efficiency	Dosing	Meter Disc	Disc Selection (Compensated Hardness*)							
					1	2	3	4	5	6	7	8
24 lb	88,000 grains	3,700 grains/lb	6.0 lb/ft ³		5	9	13	16	19	22	25	30
40 lb	112,000 grains	2,800 grains/lb	10.0 lb/ft ³		6	12	16	21	25	30	35	40
Peak flow during regeneration					35	35	35	35	26.7	21.7	17.1	14.1

Alternating Operation

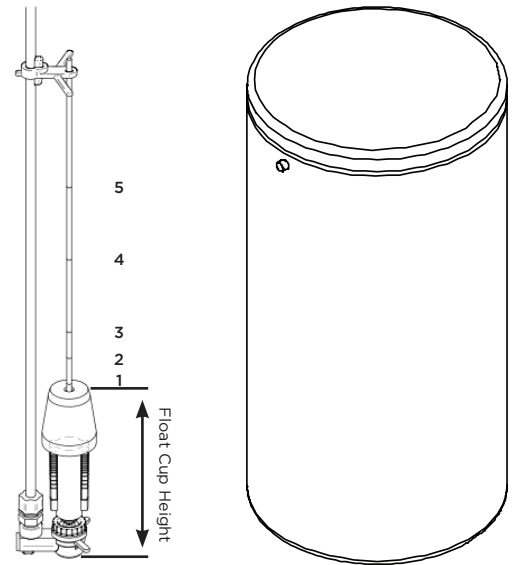
Setting	Capacity	Efficiency	Dosing	Meter Disc	Disc Selection (Compensated Hardness*)							
					1	2	3	4	5	6	7	8
24 lb	88,000 grains	3,700 grains/lb	6.0 lb/ft ³		5	10	15	20	25	30	35	40
40 lb	112,000 grains	2,800 grains/lb	10.0 lb/ft ³		7	13	20	26	32	38	43	49
Flow during regeneration (@15 psig):					23	23	23	23	23	21.7	17.1	14.1
Gallons / Regeneration:					15,192	7,596	5,064	3,798	3,038	2,532	2,170	1,899

*Compensated hardness in grains/gal = Hardness + (3 x Fe in mg/L)

Brine Valve Settings for CP 208 and CP 210 with 18x35 Drum

KEY (Salt Setting - Pounds of Salt)		
1.0 = 1.0	E = 3.0	M = 6.0
1.25 = 1.25	F = 3.3	N = 7.5
1.5 = 1.5	G = 3.6	O = 8.5
A = 1.8	H = 4.0	P = 10.0
B = 2.1	J = 4.4	Q = 12.5
C = 2.4	K = 5.0	R = 15.0
D = 2.7	L = 5.5	

Standard Settings	
1	7 3/4"
2	8 5/8"
3	9 1/2"
4	11 3/8"
5	13 3/8"



Salt - with Grid

Salt Setting	1.0	1.25	1.5	A	B	C	D	E	F	G	H	J	K	L	M	N	O	P	Q	R
Adjuster Tube	1.0	1.25	1.5	A	B	C	D	E	F	G	H	J	K	L	M	N	N	N	N	N
Float Cup	1	1	1	1	1	1	1	1	7 1/2"	1	1	1	1	1	1	1	2	3	4	5

Salt - without Grid

Salt Setting	1.0	1.25	1.5	A	B	C	D	E	F	G	H	J	K	L	M	N	O	P	Q	R
Adjuster Tube	J	K	L	M	M	L	N	N	N	L	N	N	N	N	N	N	N	N	N	N
Float Cup	6"	6"	6"	6"	6 1/2"	6 1/2"	6"	6 1/4"	6 1/2"	7 1/4"	6 3/4"	7"	7 1/2"	1	8 1/4"	9"	10"	10 3/4"	12 1/2"	14 3/4"

KCI - with Grid*

Salt Setting	1.0	1.25	1.5	A	B	C	D	E	F	G	H	J	K	L	M	N	O	P	Q	R
Adjuster Tube	1.25	A	B	D	R	F	G	H	J	K	L	M	M	N	N	N	L	J	N	N
Float Cup	1	1	1	1	1	1	1	1	1	1	1	1	2	1	2	3	4	4	12 1/2"	14 1/2"

* Kinetico strongly recommends removing the grid plate when using potassium chloride.

KCI - without Grid

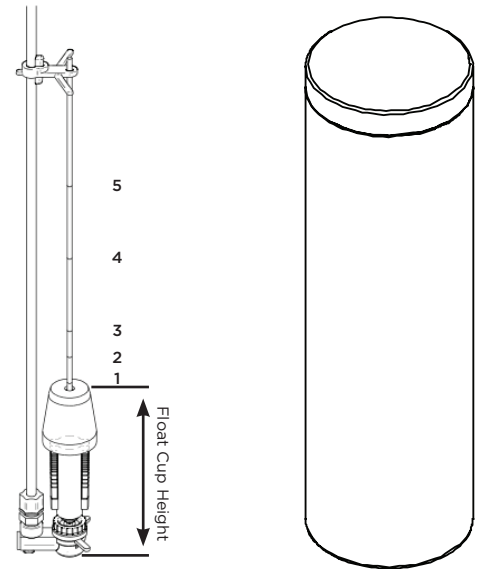
Salt Setting	1.0	1.25	1.5	A	B	C	D	E	F	G	H	J	K	L	M	N	O	P	Q	R
Adjuster Tube	K	M	M	N	N	N	N	N	N	N	N	N	M	N	N	N	N	N	N	N
Float Cup	6"	6"	6 1/4"	6"	6 1/4"	6 1/2"	6 3/4"	7"	7 1/4"	7 1/2"	1	8 1/4"	8 3/4"	9 1/4"	2	10 1/2"	11"	12"	13"	14 1/2"

Brine Valve Settings for CP 208 and CP 210 with 12x40 Drum

KEY (Salt Setting - Pounds of Salt)		
1.0 = 1.0	E = 3.0	M = 6.0
1.25 = 1.25	F = 3.3	N = 7.5
1.5 = 1.5	G = 3.6	O = 8.5
A = 1.8	H = 4.0	P = 10.0
B = 2.1	J = 4.4	Q = 12.5
C = 2.4	K = 5.0	R = 15.0
D = 2.7	L = 5.5	

Standard Settings

1	7 3/4"
2	8 5/8"
3	9 1/2"
4	11 3/8"
5	13 3/8"



Salt - with Grid

Salt Setting	1.0	1.25	1.5	A	B	C	D	E	F	G	H	J	K	L	M	N	O	P	Q	R
Adjuster Tube	1.0	1.0	1.25	A	E	F	H	J	L	M	N	N	K	M	N	N	N	N		
Float Cup	2	8 3/4"	2	2	2	2	2	8 1/4"	2	2	2	9 1/4"	4	4	4	4	14"	16"		

Salt - without Grid

Salt Setting	1.0	1.25	1.5	A	B	C	D	E	F	G	H	J	K	L	M	N	O	P	Q	R
Adjuster Tube	N	N	N	N	N	N	N	N	N	N	N	N	N	N	N					
Float Cup	6"	6 1/4"	6 3/4"	7 1/4"	7 1/2"	8"	8 1/4"	8 3/4"	9 1/4"	9 3/4"	10 1/4"	10 3/4"	11 1/2"	12 1/4"	13"					

KCI - with Grid*

Salt Setting	1.0	1.25	1.5	A	B	C	D	E	F	G	H	J	K	L	M	N	O	P	Q	R
Adjuster Tube	1.25	1.5	C	G	J	L	K	M	N	K	M	N	M	N						
Float Cup	2	2	2	2	2	2	3	3	9	4	4	4	5	5						

* Kinetico strongly recommends removing the grid plate when using potassium chloride.

KCI - without Grid

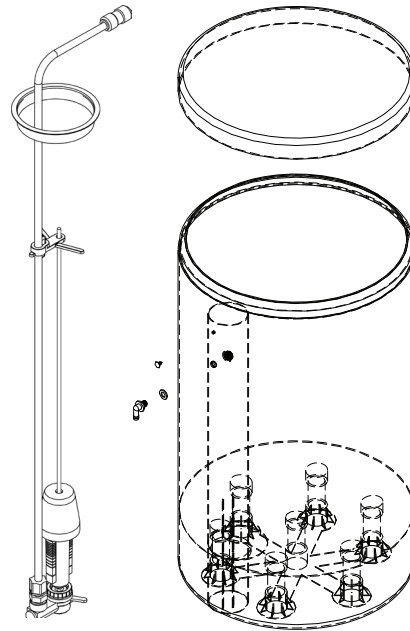
Salt Setting	1.0	1.25	1.5	A	B	C	D	E	F	G	H	J	K	L	M	N	O	P	Q	R
Adjuster Tube	N	N	N	N	N	N	N	N	N	N	N	N								
Float Cup	6 1/4"	6 3/4"	7 1/4"	8"	8 1/2"	8 3/4"	9 3/4"	10 1/4"	10 3/4"	11 1/4"	12"	13"								

Use Teflon tape for all threaded pipe connections

Brine Valve Settings for CP 213 and CP 216


24x40 Brine Drum Valve Adjustment

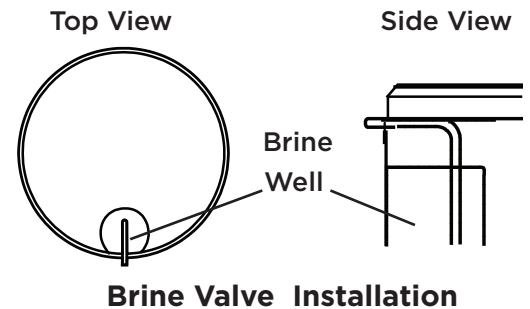
Salt Setting	15 lb	25 lb	30 lb	40 lb
Adjuster Tube	1.25	K	N	N
Float Cup	10.5"	12"	11"	16"





Installing the Brine Valve


After the adjustments have been made to the adjuster tube and the float cup, the brine valve assembly must be installed in the brine drum. Locate the brine valve in the brine well so that the 3/8" bent tube is along the back of the brine well away from the brine drum wall. The 3/8" bent tube snaps into a notch and extends from the brine drum about 1 inch.

-  Do not drop the brine valve into the drum!
Dropping may lower the float cup, resulting in an improper setting.



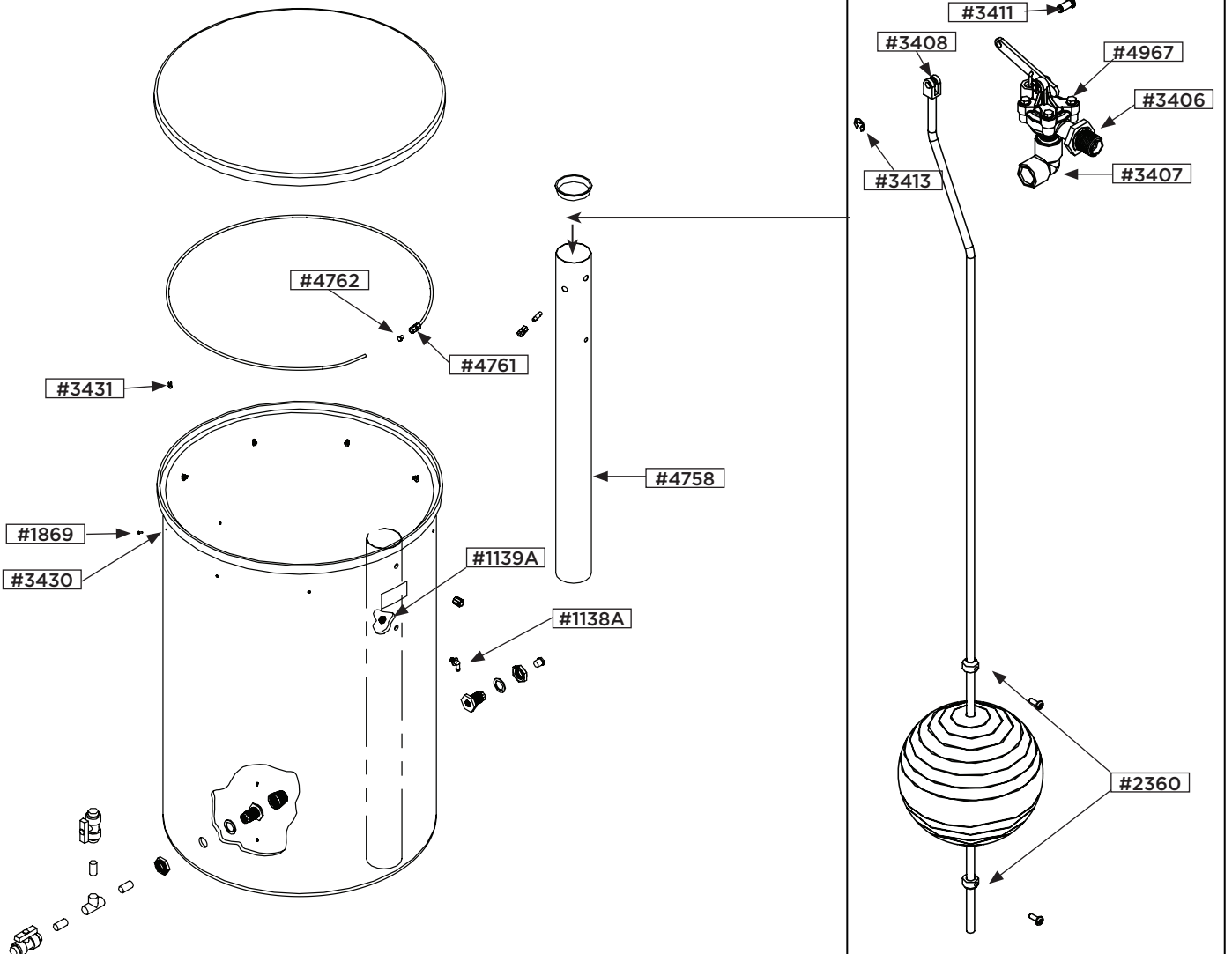
-  1. Add a clean grade of softener salt at this time. **DO NOT USE ROCK SALT.**
On iron-bearing water, a salt that contains resin cleaning additives is recommended.
- 2. Open the inlet valve and allow tanks to fill slowly with water. Water will run at the drain until unit is full and pressurized.
- 3. With the unit in service and under pressure, allow the brine drum to fill with water until the brine valve shuts off.
-  4. After the unit is fully pressurized, purge air from the lines by opening soft water outlet.
When installation is complete, plumbing lines must be chlorinated for sanitation. Common household bleach may be used. The amount of bleach will vary on plumbing size, length and fixtures.
- 5. **VERY IMPORTANT!** Where a brine drum overflow could cause damage, a 1/2" I.D. overflow line must be installed on the barbed overflow fitting on drum and connected to a drain. Make sure drain is not higher than barbed fitting. **FOLLOW STATE AND LOCAL CODES.**
- 6. Before leaving installation, check plumbing for leaks.

Central Brining System Installation

 Use Teflon tape for all threaded pipe connections

For 39x60 (#4726A) and 50x60 (#4728A) Diameter Drums

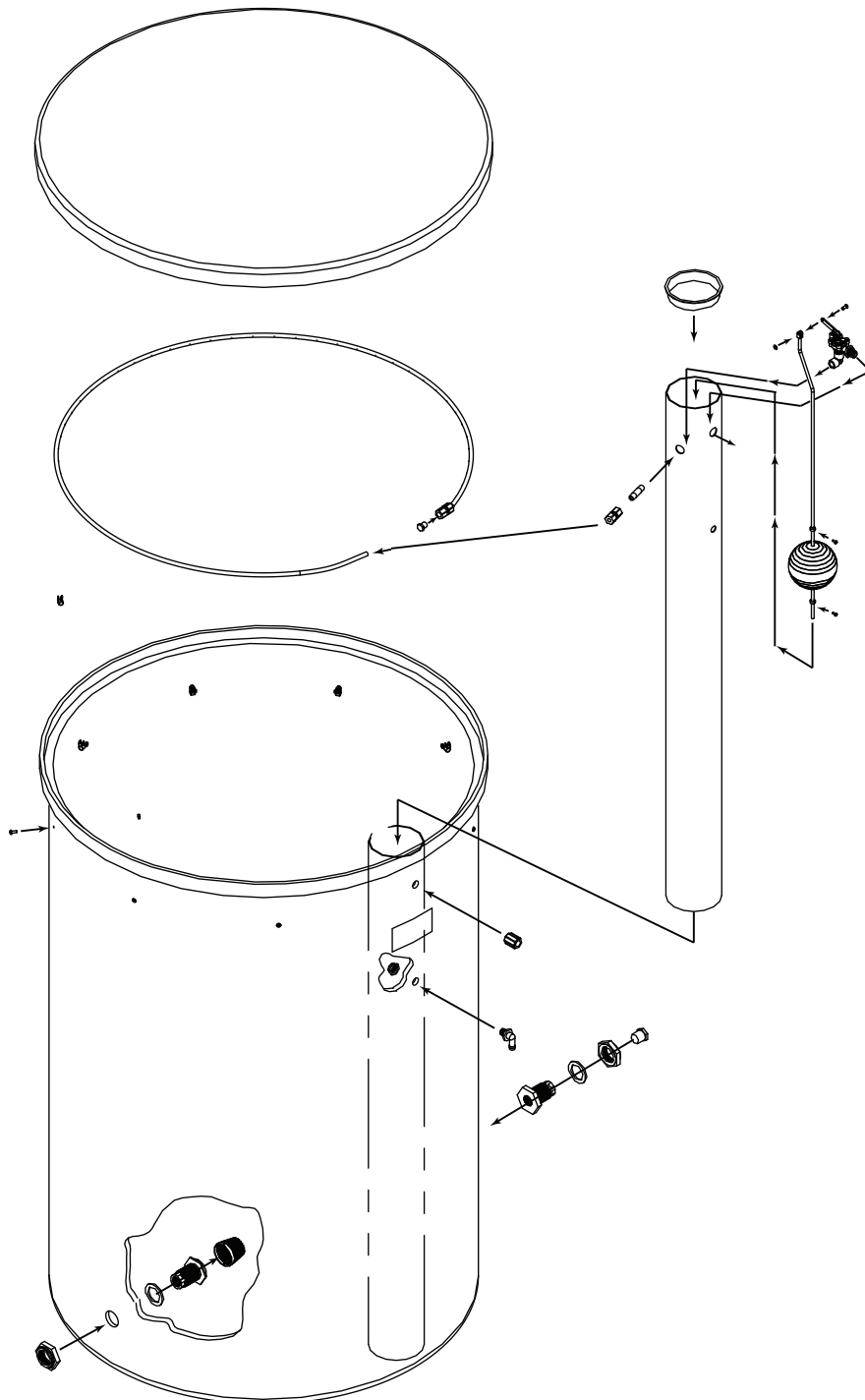
1. Assemble bulkhead fittings to brine drum as shown, with the rubber washer on the inside. Be sure the washer does not “squeeze” out while tightening.
2. Mount the brine well (Part #4758) to the drum using overflow fitting (Part #1138A) and nut (Part #1139A).
3. Assemble 90° elbow (Part # 3407) and nipple (Part #3406) to refill valve (Part #4967).
4. Install top collar (Part #2360) on bent float rod and position it 14 inches from straight end and secure. Slide ball on rod. Position lower collar (Part #2360) on rod, and secure it approximately 2 inches from end of rod.
5. Screw “float to valve” adapter fitting (Part #3408) to float rod - DO NOT OVERTIGHTEN.
6. Using pin (Part #3411) and E-ring (Part #3413), attach rod and float assembly to valve (Part #4967) activator arm.
7. Lower float rod and valve assembly into brine well. Mount valve to tank through hole in brine well.
8. Assemble tube to nipple fitting (Part #4761) to nipple (Part #3406) through hole in brine wall.
9. Connect spray tube (Part #3431) to fitting (Part #4761) leading to valve and add end “plug” fitting to spray tube. Plug fitting consists of (Part #4761) hose to female thread fitting and 1/4" pipe plug (Part #4762).
10. Using the 8 hangers (Part #3431), screws (Part #1869) and nuts (Part #3430) mount spray tube to drum using holes provided. Spray holes should be angled down toward salt.



Central Brining System Installation

For 24x48 (#4724A) Drum

The procedures are identical to those listed, except the shorter 46 1/2" brine well is used. Also, only 6 hangers are needed to mount the spray tube (Part #4756).



TROUBLESHOOTING

Ten steps to determine the problem...

1. Gather Information

Any information obtained can reduce troubleshooting time.

2. Test the Water

Test hot, cold and raw.

- Hot water, stored in the water heater, can tell you what the water was like yesterday.
- Cold water, directly from the softener, tells you what the water is like right now.
- Raw water, before treatment, tells you if the water to be treated has changed and if the correct meter disc was installed originally.

Test water at the brine fitting while water is running to determine if the softener is producing soft water.

Is there really a problem with the softener? Or does the problem lie elsewhere at the customer site?

3. Observe the installation

Look for customer related problems.

- Is the by-pass open or leaking?
- Is the softener out of salt?
- Is there bridged salt in the drum?
- Is the prefilter clogged?

Look for obvious installation mistakes

- Is the meter disc and salt setting correct according to raw water?
- Are the inlet and outlet lines reversed?
- Drain installation - Are there any kinks, restrictions or T's from other appliances using water?

Is the unit running water to drain?

Refer to the section for problems and solutions.

4. Run a soft water faucet wide open

Watch the meter disc.

- Is it turning?
- Watch the no back pawl.
- As the meter disc turns clockwise, the no back pawl should drop into the next tooth, preventing the meter disc from turning backwards. Does it?

Measure the metering rate.

- Wait for the no back pawl to drop into a tooth. Place a bucket under the faucet to catch the water. Let the meter disc turn for another tooth or two, then measure the water captured in the bucket. The approximate metering rate for all models is shown below.

5. Place the unit in manual regeneration in the brine position

Check if unit is drawing brine by disconnecting the brine line from the elbow on the Level 3.

- Is the brine suction elbow screen clogged?
 - Is the suction sound smooth and continuous with no water?
 - Blow back?
 - Moisten a finger and place it on the open end of the elbow. Can you feel a smooth continuous suction?
-

6. Remove the brine valve

Check the brine valve setting.

- Is it set according to the brine valve installation sheet?
-

7. Look for leaks in the house

Make sure the customer is not using any water.

- Is the meter disc still turning?

Some leaks may be so slow that the meter disc will not turn.

- Are there any leaky faucets?
- Are there any toilets that run continuously?

Place the unit in service position (6 o'clock or 12 o'clock).

Close the soft water side of the by-pass and leave it closed for one minute. On a Kinetico by-pass, turn it to the off position.

Open it.

- Did you hear a surge of water through the valve when it was opened? If so, there is a leak somewhere in the house.
-

8. Measure water pressure

Low water pressure can cause hard water and/or salty water.

Measure the water pressure:

- Adapt a pressure gauge to the brine fitting port on Level 3.
- Turn on one cold water faucet wide open.
- Place either tank in the backwash portion of cycle.
- Did the pressure drop below 15 psi at the brine fitting for the CP 208 and CP 210 (25 psi for the CP 213 and CP 216)?

The Kinetico valve requires a minimum of 15 psi for the CP 208 and CP 210 to function properly. The CP 213 and 216 require 25 psi to operate properly.

9. Measure backwash flow rate

Too little backwash flow can cause salty water.

Measure the amount of water coming out of the drain line during the backwash portion of cycle.

- Is it less than the backwash rate on the specification sheet?
-

10. Check unit shutoff

The drain should be dry at the service positions (12 o'clock and 6 o'clock).

An occasional drip may occur. Measure the drip rate. There should be less than 5 mL of water collected in 22 seconds.

- Is the drain running or dripping excessively in the service positions?
-

Solving the Problem

Having run through the above 10 steps, you are now ready to solve whatever problems have been uncovered. The next section tells specifically how to resolve common complaints and problems with water treatment systems.

Hard Water

Problem	Reason	Solution
1. Water meter disc is not turning	<input type="checkbox"/> Non-conforming meter drive pawl. <input type="checkbox"/> Meter drive spring installed wrong. <input type="checkbox"/> No back pawl not installed. <input type="checkbox"/> Damaged tooth on the meter disc. <input type="checkbox"/> Damaged gear in the gearing stack.	<input checked="" type="checkbox"/> Replace meter drive pawl. <input checked="" type="checkbox"/> Reinstall meter drive spring. <input checked="" type="checkbox"/> Install no back pawl. <input checked="" type="checkbox"/> Replace meter disc. <input checked="" type="checkbox"/> Re-gear Level 1 Assembly and check allowable flow rates.
2. The unit will not go into automatic regeneration	<input type="checkbox"/> Water meter disc is not turning. <input type="checkbox"/> Control disc will not automatically advance out of service position. <input type="checkbox"/> Damaged teeth on control disc.	<input checked="" type="checkbox"/> See number 1 above. <input checked="" type="checkbox"/> Replace regeneration start pawl. <input checked="" type="checkbox"/> Replace control disc.
3. No vacuum in brine position	<input type="checkbox"/> Check stems missing or not working correctly. <input type="checkbox"/> Plugged venturi. <input type="checkbox"/> Plugged backwash flow control. <input type="checkbox"/> Plugged brine elbow screen.	<input checked="" type="checkbox"/> Replace or add check stems. <input checked="" type="checkbox"/> Clean out Level 3 venturi throat and molded venturi nozzle (Do not use a paper clip!) <input checked="" type="checkbox"/> Clean out backwash flow control. <input checked="" type="checkbox"/> Clean out brine elbow screen.
4. Short salting	<input type="checkbox"/> The brine drum is not leveled. The grid system allows a water levedl no more than 1" above the grid. If the brine drum is not leveled, it may exceed this.	<input checked="" type="checkbox"/> Level the brine drum.
5. Bridged salt in the brine drum	<input type="checkbox"/> Salt has solidified in the drum.	<input checked="" type="checkbox"/> Carefully move the salt around to break up the mass of solidified salt.
6. The by-pass is open	<input type="checkbox"/> An open by-pass allows water to flow around the system without any treatment at all.	<input checked="" type="checkbox"/> Close the by-pass.
7. The by-pass is leaking	<input type="checkbox"/> This can be determined by testing the water at a soft water tap. With the water still running, disconnect the brine line at the valve and test the water. Water that tests soft at the brine fitting and hard at the tap indicates a by-pass that is leaking.	<input checked="" type="checkbox"/> Repair or replace the by-pass.
8. Brine drum does not refill or overfill	<input type="checkbox"/> The brine valve is set incorrectly. <input type="checkbox"/> The brine valve is non-conforming. <input type="checkbox"/> The brine drum is dirty. <input type="checkbox"/> The venturi nozzle is plugged. <input type="checkbox"/> The brine elbow screen is plugged.	<input checked="" type="checkbox"/> Set the brine valve according to instructions on the brine valve installation sheet in the owner's pack or tech manual. <input checked="" type="checkbox"/> Replace the brine valve. <input checked="" type="checkbox"/> Clean out the brine valve. <input checked="" type="checkbox"/> Clean out Level 3 venturi throat and molded venturi nozzle (do not use a paper clip!) <input checked="" type="checkbox"/> Remove and clean brine elbow screen.

Frequent Regeneration

Problem	Reason	Solution
1. The customer does not understand KineticoPRO units	<ul style="list-style-type: none"> <input type="checkbox"/> If customers previously owned an electric unit with timer based regeneration, they may not realize that KineticoPRO units can regenerate at any time of the day or night. 	<ul style="list-style-type: none"> ■ Explain to the customer how the KineticoPRO softener works. Emphasize that regeneration is controlled by the measurement of water use rather than on an arbitrary timed basis.
2. High water usage	<ul style="list-style-type: none"> <input type="checkbox"/> The customer may be using more water than he realizes. 	<ul style="list-style-type: none"> ■ Obtain a water-bill (if customer is on a city water system) and determine how much water should be used. Average water consumption is 75 gallons per day per person.
3. The unit does regenerate too frequently	<ul style="list-style-type: none"> <input type="checkbox"/> Incorrectly labeled meter disc. Verify that the number of slots on the disc match the number molded on the disc. 	<ul style="list-style-type: none"> ■ Install the correct meter disc.

High Salt Consumption

Problem	Reason	Solution
1. Regenerates too frequently	<ul style="list-style-type: none"> <input type="checkbox"/> See the section entitled "Frequent Regeneration." 	<ul style="list-style-type: none"> ■ See the section entitled "Frequent Regeneration."
2. Water level in the brine drum is too high	<ul style="list-style-type: none"> <input type="checkbox"/> The brine valve is set wrong or non-conforming. <input type="checkbox"/> The brine valve or the brine drum is dirty. <input type="checkbox"/> The brine valve leaks. 	<ul style="list-style-type: none"> ■ Verify the brine valve setting. Replace non-conforming brine valve. ■ Clean brine valve and drum. ■ Tighten the connectors on the brine valve.

Equipment Noise

Problem	Reason	Solution
1. The unit makes a squealing noise	<ul style="list-style-type: none"> <input type="checkbox"/> The control disc is not flat on the ceramic, causing the drain valve to flutter. 	<ul style="list-style-type: none"> ■ Replace the control disc, balance piston spring and the balance piston O-ring. You may also want to change the drain valves and seals.
2. The unit makes a gurgling, hissing or bubbling sound	<ul style="list-style-type: none"> <input type="checkbox"/> On new installations, there may be some air trapped in the unit initially. <input type="checkbox"/> Air is being drawn into the plumbing. <input type="checkbox"/> The brine line and/or the brine valve are not air checked. 	<ul style="list-style-type: none"> ■ Run through an entire cycle to allow the air to escape. ■ Identify air leaks in the plumbing and fix them. ■ Identify and replace the faulty part(s).

Salty Treated Water

Problem	Reason	Solution
1. Restricted drain line	<input type="checkbox"/> The drain is kinked or clogged.	<ul style="list-style-type: none"> ■ Clear any obstructions. Make sure that the drain line flows smoothly and unrestricted.
2. Low water pressure	<ul style="list-style-type: none"> <input type="checkbox"/> The unit should not see water pressure drop below 15 psi on the outlet at any time. During the backwash portion of the regeneration cycle, it must hold at least 15 psi or the brine may not rinse out completely. <input type="checkbox"/> The prefilter cartridge is plugged. 	<ul style="list-style-type: none"> ■ Test the outlet pressure with the unit in backwash and one faucet at high flow. Measure the pressure by placing a gauge on the brine fitting. Raise pressure if below 15 psi. ■ Replace prefilter cartridge.
3. The backwash flow control is plugged	<input type="checkbox"/> Without enough backwash flow to the drain, the unit cannot wash all the salt from the media tanks.	<ul style="list-style-type: none"> ■ Clean the backwash flow control.
4. The drain is extremely long or placed higher than 8 feet above the floor	<input type="checkbox"/> Such drain runs can put back-pressure on the unit and restrict the drain flow. This causes the same result as number 3 above.	<ul style="list-style-type: none"> ■ Locate a closer drain or use a larger diameter drain line.
5. The upper distributors are plugged.	<input type="checkbox"/> Foreign material that finds its way into the media tanks may be collected around the upper distributors during backwash, clogging them.	<ul style="list-style-type: none"> ■ Clean upper distributors. ■ Install a prefilter.
6. Water level in the brine drum is too high	<input type="checkbox"/> The brine valve is set wrong or non-conforming.	<ul style="list-style-type: none"> ■ Verify the brine valve setting. Replace non-conforming brine valve.

Leaks

Problem	Reason	Solution
1. Water leaks from any of the assembly levels	<ul style="list-style-type: none"> <input type="checkbox"/> Main Valve screws are not tightened. <input type="checkbox"/> One of the seals between assembly levels (Level 1 through Level 4) is pinched or missing. <input type="checkbox"/> One of the screw holes is stripped or cracked. <input type="checkbox"/> There is a crack on the seal area near a screw hole. 	<ul style="list-style-type: none"> ■ Depressurize the unit and tighten the Main Valve screws. ■ Replace the non-conforming seal. ■ Replace the base. ■ Replace the level.
1. Water feed pressure is too high (125 psi maximum)	<ul style="list-style-type: none"> <input type="checkbox"/> No pressure regulator installed. <input type="checkbox"/> The pressure regulator is broken. 	<ul style="list-style-type: none"> ■ Install pressure regulator. ■ Replace pressure regulator.
2. Water leaks at the main base or remote base	<ul style="list-style-type: none"> <input type="checkbox"/> The base is not tightened properly. <input type="checkbox"/> The O-ring on the base is pinched or missing. 	<ul style="list-style-type: none"> ■ Tighten base. ■ Replace base O-ring.

Iron Bleed-through

Problem	Reason	Solution
1. Customer plumbing	<ul style="list-style-type: none"> <input type="checkbox"/> Previous iron buildup inside existing plumbing after the water softener. 	<ul style="list-style-type: none"> ■ Verify that customer plumbing is the problem by testing the water quality at the brine fitting with water running.
2. The water meter disc is not set properly for current raw water conditions	<ul style="list-style-type: none"> <input type="checkbox"/> The composition of raw water can change with time. 	<ul style="list-style-type: none"> ■ Check the hardness and iron content of raw water. Install the correct disc for current raw water conditions.
3. The salt setting is not set properly for current raw water conditions	<ul style="list-style-type: none"> <input type="checkbox"/> The composition of raw water can change with time. 	<ul style="list-style-type: none"> ■ Check the hardness and iron content of raw water. Set the brine valve for current raw water conditions.
4. The iron may be ferric iron	<ul style="list-style-type: none"> <input type="checkbox"/> Ferric iron is not removable by ion exchange. <input type="checkbox"/> The iron may be finer than the micron rating of the installed prefilter cartridge. 	<ul style="list-style-type: none"> ■ Verify by using the demo softener to determine if iron is removable by ion exchange. Add additional equipment if needed. ■ Install a cartridge with finer micron rating.
5. The upper distributors are plugged. (This does not apply to High Efficiency softeners)	<ul style="list-style-type: none"> <input type="checkbox"/> A galvanized pressure tank will create oxidized iron. 	<ul style="list-style-type: none"> ■ Replace the galvanized pressure tank with a bladder style pressure tank.
6. The customer's plumbing may include a galvanized pressure tank	<ul style="list-style-type: none"> <input type="checkbox"/> The brine valve is set wrong or non-conforming. 	<ul style="list-style-type: none"> ■ Verify the brine valve setting. Replace non-conforming brine valve.

Unit Sticks in Cycle

Problem	Reason	Solution
1. The unit sticks in regeneration or backwash cycle	<ul style="list-style-type: none"> <input type="checkbox"/> The regeneration flow path is plugged at the regeneration nozzle or flow control. <input type="checkbox"/> The regeneration drive pawl and/or spring is weak or broken. <input type="checkbox"/> There is a damaged tooth on the control disc. <input type="checkbox"/> The eccentric pinion is worn. <input type="checkbox"/> On backwashing filters, low pressure or poor backwashing may cause a plugged bed. 	<ul style="list-style-type: none"> ■ Clean the regeneration flow path. ■ Replace the regeneration drive pawl. ■ Replace the control disc. ■ Replace the eccentric pinion (snap fit). ■ Increase inlet pressure or the frequency of backwash. Unit may need re-bedding.
2. The unit sticks in service cycle	<ul style="list-style-type: none"> <input type="checkbox"/> The regeneration start pawl is broken or missing. <input type="checkbox"/> The control disc has a worn or missing tooth. 	<ul style="list-style-type: none"> ■ Replace or install regeneration start pawl. ■ Replace control disc.

Pressure Loss

Problem	Reason	Solution
1. Reduced pressure entering the unit	<input type="checkbox"/> The prefilter is clogged.	<input checked="" type="checkbox"/> Replace the clogged prefilter.
2. The upper and/or lower distributors are plugged	<input type="checkbox"/> Foreign matter from the input lines is accumulating in the distributors.	<input checked="" type="checkbox"/> Clean the distributors. Add a prefilter to eliminate the foreign matter before it enters the unit.

Water Running to Drain

Note: With softeners and filter/softeners, start by testing the drain water. If the drain water is hard, the tank currently in service has a problem with its drain valve. If the drain water is soft, start with number 1 below.

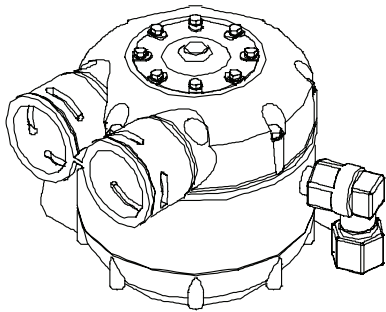
Problem	Reason	Solution
1. The balance piston O-ring is not seated properly	<input type="checkbox"/> Water will leak past an improperly seated balance piston O-ring and out the drain.	<input checked="" type="checkbox"/> Depress the actuator several times to seat the O-ring. Replace worn or non-conforming O-ring.
2. Bad Control Disc	<input type="checkbox"/> A scored control disc will allow a fast drip to a pencil sized stream to flow through the drain.	<input checked="" type="checkbox"/> Replace the control disc.
3. The drain or control valve seals are not seating properly	<input type="checkbox"/> Foreign matter under the seals will not allow them to seat properly.	<input checked="" type="checkbox"/> Disassemble and remove the foreign matter from seals.
4. Low water pressure	<input type="checkbox"/> If the water pressure is less than 15 psi (CP 208-210) or 25 psi (CP 213-216) at the brine fitting the system may not operate properly. <input type="checkbox"/> Test Backwashing Filters with the unit in Backwash and 1 faucet (cold) running water.	<input checked="" type="checkbox"/> Increase water pressure.
5. The Main Valve piston quad rings or Level 4 internal quad rings are not sealing	<input type="checkbox"/> The quad rings may be rolled, pinched, torn or just dirty. <input type="checkbox"/> The quad rings may be chloramine or chlorine damaged if on a chlorine treated water supply.	<input checked="" type="checkbox"/> Replace and re-silicone the quad rings. <input checked="" type="checkbox"/> Replace quad rings with silicone seals. Order chloramine kit, part number 10534A.

Taste, Color & Odor

Problem	Reason	Solution
1. Treated water has a metallic or iron taste	<input type="checkbox"/> See the section entitled "Iron Bleed-Through."	<input type="checkbox"/> See the section entitled "Iron Bleed-Through."
2. Treated water has chlorine odor and/or taste	<input type="checkbox"/> This is due to heavily chlorinated raw city water.	<input type="checkbox"/> Install a carbon filter.
3. Treated water has a salty taste	<input type="checkbox"/> In high TDS (1000+) applications, salt taste may be present due to the ion exchange process or sodium chloride in the raw water. <input type="checkbox"/> See the section entitled "Salty Treated Water."	<input type="checkbox"/> Inform the customer of the KineticoPRO Drinking Water System or Commercial RO System.
4. Treated water has a yellow tint	<input type="checkbox"/> The raw water may have traces of tannins present. <input type="checkbox"/> See the section entitled "Iron Bleed-Through."	<input type="checkbox"/> If tannins are present, use tannin softener.
5. Treated water has an odor (hot water only)	<input type="checkbox"/> The magnesium rod in hot water tanks can cause a reaction that gives off an odor of rotten eggs.	<input type="checkbox"/> Remove this rod from the hot water heater. An alternative rod may be installed.

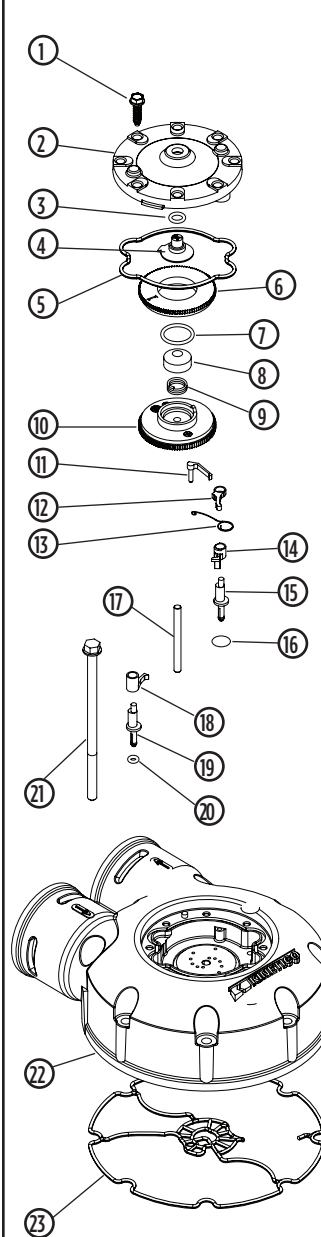
PARTS

Complete Valve



CP 208s OD.....	11203
CP 210s OD.....	11131
CP 213s OD.....	11156
CP 216s OD.....	11170

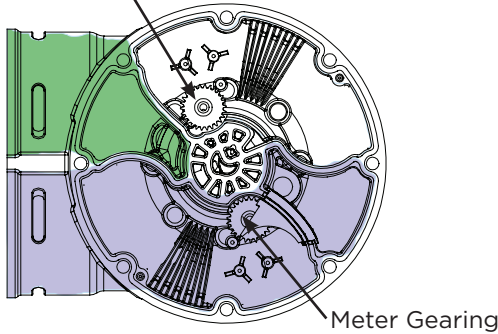
Level One



1. Cap Screw (8).....	1010
2. Cap.....	9044B
3. Actuator O-Ring.....	1460
	208/210 213/216
4. Actuator.....	9284A.....13688
5. Cap Seal.....	8628
6. Meter Disc	
Disc 1.....	1504
Disc 2.....	1505
Disc 3.....	1506
Disc 4.....	1507
Disc 5.....	1508
Disc 6.....	1509
Disc 7.....	1510
Disc 8.....	1511
7. Balance Piston O-Ring.....	1070
	208/210 213/216
8. Balance Piston.....	14927.....8189A
9. Balance Piston Spring.....	5448
10. Control Disc.....	5565
11. No-Back Pawl.....	7097
12. Meter Drive Pawl.....	7014
13. Meter Drive Pawl Spring.....	7010A
14. Regen Start Pawl.....	1783
15. Eccentric Pin.....	1520
16. Level 1 Filter.....	10781
17. Support Pin.....	1023
18. Regen Drive Pawl.....	5511
19. Eccentric Pin.....	1520
20. Regen O-Ring.....	2657
21. Level 1 Screw (8).....	5372
22. Level 1 Assembly	
CP 208s OD.....	11205
CP 210s OD.....	11133
CP 213s OD.....	11240A
CP 216s OD.....	11242B
23. Level 1 Seal (Red LSR).....	8471

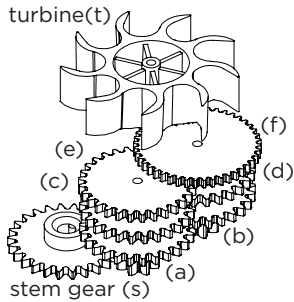
Gearing

Regeneration Gearing



Meter Gearing

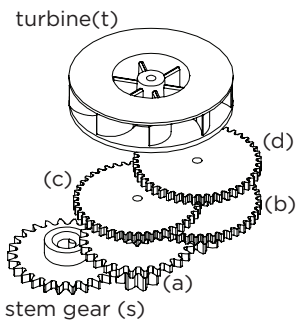
Unit (gallons)	(s) Stem Gear	(a) gear	(b) gear	(c) gear	(d) gear	(e) gear	(f) gear	(t) turbine
CP 208s (3171)	s	1	5	4	4	--	--	t
CP 210s (3829)	s	7	P23	P23	6	--	--	t
CP 213s (8922)	s	P20	P20	P14	P14	P13	P12	t
CP 216s (15,192)	s	P20	P20	P14	P14	P13	P12	t



Part	Number
Gear Stem	1521
Gear 1	1522
Gear 2 CP 208 & CP 210 only	1523
Gear P2 CP 213 & CP 216 only	7886A
Gear 3	1524
Gear 4	1525
Gear 5	1526
Gear 6	1527
Gear 7	1528
Gear P12	7892A
Gear P13	7893A
Gear P14	7894A
Gear P20	7898A
Gear P23	7853A
Turbine (PP9) CP 208 & CP 210 only	9258
Turbine (PP6) CP 213 & CP 216 only	7855A

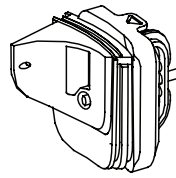
Regeneration Gearing

Unit (gallons)	(s) Stem Gear	(a) gear	(b) gear	(c) gear	(d) gear	(t) turbine
CP 208s (45 min)	s	2	1	5	4	j8
CP 210s (90 min)	s	2	3	4	4	j8
CP 213s (90 min)	s	2	3	4	4	j8
CP 216s (90 min)	s	2	3	4	4	j8

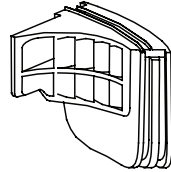


Part	Number
Gear 1	1522
Gear 3	1524
Gear 4	1525
Gear 5	1526
Turbine (#8 jet)	11011A
Turbine (#10 jet)	8781F
Stem Gear	1521
Meter Turbine Retainer	7859
Gear Alignment Clip	11902B

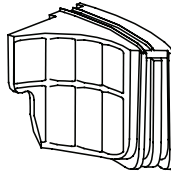
Nozzles



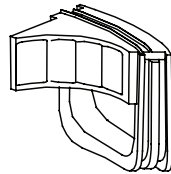
Micro Nozzle
0.05 gpm - 5 gpm 10880B



1/2 Louver Nozzle
0.3 gpm - 25 gpm 11018

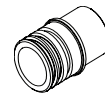


Full Louver Nozzle
CP 208s OD / CP210s OD
0.7 gpm - 40 gpm 11019
CP 213s OD
0.7 gpm - 40 gpm 15127

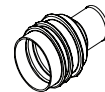


Open Louver Nozzle
CP 216s OD
1.1 gpm - 50 gpm 15653

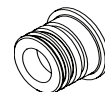
Inlet / Outlet Adapters



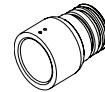
1/2" - 1/4" Brass - Solder 11048
(included with CP systems)



3/4" Copper, Solder 10748



1" Brass, Solder 11049



1/4" PVC, Glue 11615B



1/4" Noryl - MNPT 10739



1/4" Noryl - BSP 11692



1" Noryl - MNPT 11691



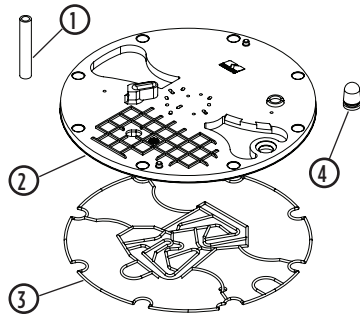
1" Brass, FNPT 10749



Adapter O-ring 10733

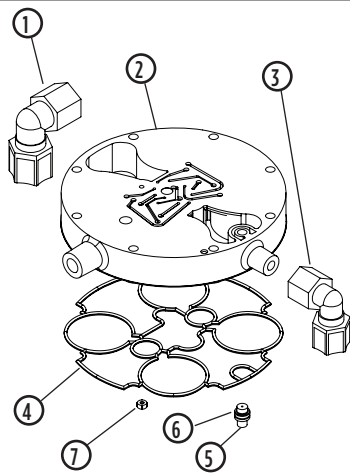
Adapter E-clip 11098A

Level Two



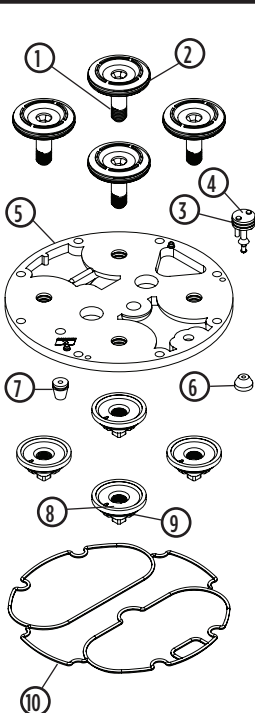
1. Vent Tube1480
2. Level 2 (208/210)8784D
Level 2 (213/216)..... 13690A
3. Brine Flow Control
CP 208 (0.4 gpm)..... 5156
CP 210 (0.7 gpm).....5157
CP 213 (0.7 gpm).....5157
CP 216 (0.7 gpm).....5157
4. Level 2 Seal (Red, LSR) .8630

Level Three



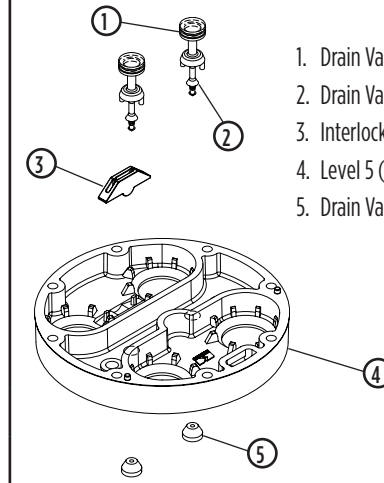
1. Drain Elbow (1/2") 7870
Drain Elbow (3/8")7873
2. Level 3 (208/210)8914C
Level 3 (213/216)..... 10420
3. Brine Elbow1840
(3/8" NPT x 3/8" Tube)
4. Level 3 Seal (Red, LSR) 8631
5. Throat, CP 208 (tan)16968
Throat, CP 210 (white).....1043
Throat, CP 213/216 (ylw)..... 6017
6. Venturi Throat O-ring..... 1460
7. Regeneration Flow Control
(0.2 gpm)9183B

Level Four



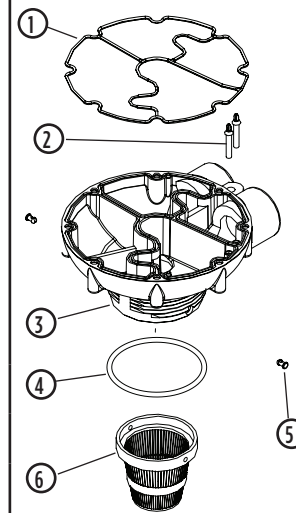
- | | 208/210 | 213/216 |
|-----------------------------------|---------|----------------|
| 1. Main Piston w/ Quad Ring..... | 17398 | 15131 |
| 2. Main Piston Quad Ring | 1550 | 8186A |
| 3. Control Valve Quad Ring..... | 1590 | 8187A |
| 4. Control Valve (w/ Quad)..... | 13720A | 13720A |
| 5. Level 4..... | 13692A | 15614
15128 |
| 6. Control Valve Seal | 7869 | 8193A |
| 7. Backwash Flow Control | | |
| CP 208 (2.0 gpm)..... | 1054 | |
| CP 210 (3.0 gpm)..... | 1055 | |
| CP 213 (5.0 gpm)..... | 1583 | |
| CP 216 (7.0 gpm)..... | none | |
| 8. Main Valve Seat (w/seal)..... | 13696A | 13696A |
| 9. Main Valve Seal | 7865 | |
| 10. Level 4 Seal (Red, LSR) | 8632 | 8632 |

Level Five



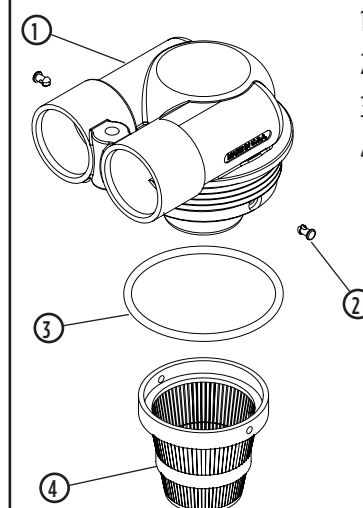
- | | 208/210 | 213/216 |
|-------------------------------|---------|---------|
| 1. Drain Valve Quad Ring..... | 1590 | 8187A |
| 2. Drain Valve w/ Quad..... | 7872A | 15129A |
| 3. Interlock..... | 9261 | 13697 |
| 4. Level 5 (check stem)..... | 13700A | 13700A |
| 5. Drain Valve Seal | 7869 | 8193A |

Level Six



1. Main Base Seal.....8620
2. Check Stems..... 8627
3. Main Base (208/210)..... 8651D
Main Base (213/216)..... 14602B
4. Main Base O-ring..... 8925
5. Clip, Upper Distributor
208/210.....10279
6. Upper Distributor
208/210..... 2160A
21316986
216..... 16260

Remote Base



1. Remote Base.....13705A
2. Clip, Upper Distributor10279
3. Main Base O-ring..... 8925
4. Upper Distributor
208/210..... 2160A
21316986
216..... 16260

Media Tanks, Distributors and Riser Tubes

1. Adapter (CP216).....	16261
2. Screws (CP213/216).....	1774
3. Tank Adptr w/dist (CP216)	16262
4. Upper Distributor	
216	16260
208/210	2160A
213.....	16986
5. Flow Restrictor (main tank)	
208/210	5567A
213/216.....	none
6. Media tank	
208.....	13429
210	13416
213.....	13417
216	11174A
7. Distributor Tube	
208.....	13437
210	13422
213.....	13424
216	11166B

Brine Valve

1. 3/8" x 3/8" Tube Union	9210A
2. 7805: Bent Tube (18x35 Brine Tank).....	7802
10591: Bent Tube (24x40 Brine Tank)	10589
3. Well Cover.....	7815A
4. Rod Lock	7796
5. Float Cup.....	7821
6. Float Cup Grommet.....	7789
Float Cup Retainer	7820A
7. Rod Guide.....	7798
8. Adjuster Tube	7787B
9. 7805: Brine Valve Assembly.....	7786
10591: Brine Valve Assembly	8112
10. Brine Valve O-ring	9804
11. Brine Valve Body with Connector.....	7783
12. Connector, 3/8" Tube x 1/4" MNPT	17506

Complete Brine Valve Assemblies

18x35 Brine Tank	7805
24x40 Brine Tank	10591

Tank Connectors

Connector Kit	
208.....	14699
210	11029A
213.....	11042
216	11167
1. Connector Pin.....	4742
2. Connector O-ring	1328
3. Connector Pipe	
208 (8").....	13711B
210 (10").....	11775C
213 (13").....	13675
216 (16").....	9213B
4. Connector Link	
208 (8").....	2845
210 (10").....	2846
213 (13").....	8079
216 (16").....	9212

Media

Softening Resin (1 ft3 bag).....	13672
Gravel (1 ft3 bag).....	1226A

Notes:

Guide d'utilisation

Série sur les adoucisseurs commerciaux Plus



Modèles :

CP 208s OD

CP 210s OD

CP 213s OD

CP 216s OD

TABLE DES MATIÈRES

RENSEIGNEMENTS GÉNÉRAUX

À propos de ce manuel	2
La série Commercial Plus.....	2
Spécifications du système.....	3
Sélection du disque.....	5
Tableaux des taux de débit continu	5

SPÉCIFICATIONS DE FONCTIONNEMENT

Composants de la valve Kinetico.....	9
Fonctionnement de niveau 1	9
Tuyère.....	9
Engrenages du compteur.....	10
Cliquets de régénération	10
Régénération par jet.....	10
Bride d'alignement d'engrenage	10
Disque de contrôle.....	10
Disque de contrôle, grille et joint d'étanchéité.....	11
Cliquets.....	11
Disque compteur et piston d'équilibrage.....	12
Capuchon	12
Indicateur du disque de contrôle	13
Valves inférieures.....	13
Niveau 6	14
Composants supplémentaires du système	14
Dérivation du système.....	14
Réservoirs de résine.....	14
Distributeur supérieur.....	14
Tube ascendant	14
Distributeurs.....	14
Matière filtrante	14
Interconnexion des réservoirs.....	14
Réservoirs de saumure	15
Système de saumure central.....	15
Modification de la valve pour le fonctionnement du saumurage central.....	15

INSTALLATION

Pour commencer.....	16
Vérification avant l'installation.....	16
Installation de l'adoucisseur KineticoPRO® CP 208 - CP 216	17
Préparation.....	17
Inspection	17
Couper l'alimentation en eau	17
Mise en place de l'équipement	17
Préparation de la valve de dérivation	18
Raccordement du système	18
Raccordement des réservoirs d'adoucissement.....	21
Acheminer la conduite de vidange.....	21
Configuration du système	22
Réglage de la dose de sel	23
Désinfection du système.....	25
Mise en ligne du système.....	25
Feuille de données CP 208s OD	26
Feuille de données CP 210s OD	27
Feuille de données CP 213s OD.....	28

Feuille de données CP 216s OD.....	29
Réglages de la valve à saumure pour le CP 208 et le CP 210 avec réservoir de 18x35.....	30
Réglages de la valve à saumure pour le CP 208 et le CP 210 avec réservoir de 12x40	31
Réglages de la valve à saumure pour le CP 213 et le CP 216.....	32
Installation de la valve à saumure.....	32
Installation du système de saumure central	33
Réservoirs de diamètre de 39x60 et 50x60	33
Réservoirs 24x48 pouces	34

DÉPANNAGE

Dix étapes pour déterminer le problème.....	35
Eau dure	38
Régénération fréquente	39
Consommation excessive de sel	39
Eau traitée salée.....	40
Diffusion de fer.....	41
Perte de pression.....	41
Eau allant à la vidange.....	42
Bruit de l'équipement.....	42
Goût, couleur et odeur.....	43
Fuites.....	43
L'unité reste en cycle.....	44

PIÈCES

Valve complète	45
Niveau 2.....	45
Engrenages	46
Tuyères.....	46
Adaptateurs d'entrée/sortie	46
Niveau 2.....	47
Niveau 3.....	47
Niveau 4.....	47
Niveau 5.....	47
Niveau 6.....	47
Base distante	47
Réservoirs de matière filtrante, distributeurs et tubes ascendants.....	48
Raccords de réservoir	48
Valve à saumure	48
Matière filtrante	48

RENSEIGNEMENTS GÉNÉRAUX

À propos de ce manuel

Ce manuel couvre les renseignements requis pour l'installation et le fonctionnement adéquats de votre système d'adoucisseur KineticoPRO. Nous avons également inclus les renseignements au sujet des questions les plus fréquemment posées sur les systèmes d'adoucisseur. Ces renseignements sont de nature plus technique, mais fournissent des indications supplémentaires au sujet du fonctionnement continu de cet équipement à ses niveaux les plus élevés.

Ce manuel utilise plusieurs icônes pour mettre en évidence des problèmes se rapportant à l'utilisation sécuritaire de cet équipement. Voici la description des icônes utilisées:



Les renseignements généraux au sujet de l'application de ce produit seront mis en évidence par cette icône. Cela inclut les spécifications techniques et les résultats de fonctionnement attendus.



Une icône de mise en garde sera présente à côté de tout renseignement pouvant indiquer un risque de danger ou une préoccupation pendant l'installation, l'utilisation ou l'entretien de ce produit. Le non-respect de ces directives ne pourrait entraîner des dommages à l'équipement ou à l'environnement.



Une icône d'avertissement sera présente à côté de tout renseignement pouvant indiquer un danger ou une préoccupation grave pendant l'installation, l'utilisation ou l'entretien de ce produit. Le non-respect de ces directives pourrait entraîner des blessures graves.



Tous les outils ou tout le matériel requis pendant l'installation, l'utilisation ou l'entretien de cet équipement seront précédés par cette icône. L'utilisation d'outils spécifiques réduira le temps et l'effort. L'utilisation d'outils inadéquats pourrait entraîner des dommages à l'équipement, à l'environnement et même causer des blessures.

Si vous avez d'autres questions au sujet de cet équipement, veuillez contacter votre concessionnaire KineticoPRO local pour obtenir de l'aide supplémentaire.

La série Commercial Plus

La série CP fournit un débit d'eau continu pour les applications commerciales. La conception unique de la valve de contrôle Kinetico permet une opération automatique et sans électricité de toutes les fonctions de l'adoucisseur. Voici une description des options du système :

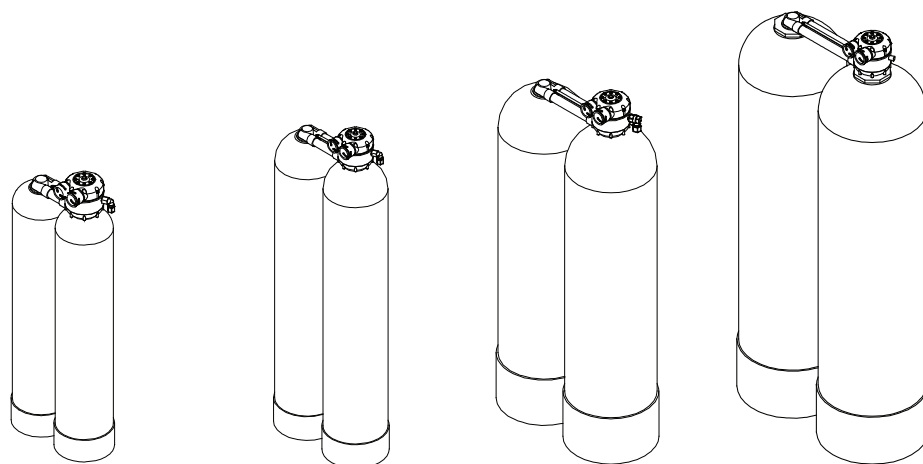
(OD) - Overdrive

La fonction de overdrive signifie que les deux réservoirs sont en ligne pendant le service. Pendant la régénération, un réservoir est en service et fournit de l'eau au réservoir de régénération. Tous les systèmes CP sont expédiés avec le mode de surmultiplication. Le disque alternant est également inclus. Pour appliquer une configuration de débit standard (s), la version OD doit être achetée et modifiée au moment de l'installation.

(s) - Service standard ou alternant

Mode où un réservoir est en service et l'autre réservoir en mode de régénération ou en attente. La fonction standard (s) permet l'élimination de niveaux de dureté plus élevés, mais offre des taux de débit inférieurs.

Spécifications du système



Nom du produit	CP 208s OD	CP 210s OD	CP 213s OD	CP 216s OD
Débit en Overdrive (1-2 Δ bar)	77,6 - 113,6 Lpm	79,9 - 119,6 Lpm	106 - 151,4 Lpm	132,5 - 177,9 Lpm
Débit de alternant (1-2 Δ bar)	43,5 - 68,1 Lpm	45,4 - 71,9 Lpm	75,7 - 113,6 Lpm	87,1 - 124,9 Lpm
Taille du réservoir	203 x 1 016 mm	254 x 1 372 mm	330 x 1 372 mm	406 x 1 651 mm
Volume de résine par réservoir	19,8 L	42,5 L	70,8 L	113,3 L
Sous-lit	Aucune	Aucune	10,9 kg de gravier	34 kg de gravier
Distributeur supérieur	moyeu à fente 0,36 mm	moyeu à fente 0,36 mm	moyeu à fente 0,30 mm	moyeu à fente 0,30 mm
Distributeur inférieur	moyeu à fente 0,36 mm	moyeu à fente 0,36 mm	moyeu à fente 0,30 mm	moyeu à fente 0,30 mm
Direction du débit	Vers le bas	Vers le bas	Vers le bas	Vers le bas
Direction de la régénération	Vers le haut	Vers le haut	Vers le haut	Vers le haut
Capacité maximale du réservoir	1 078 grammes	2 761 grammes	4 536 grammes	7 257 grammes
Engrenages du compteur	12 004 L	14 494 L	33 773 L	57 508 L
Tuyère	Défecteur complet	Défecteur complet	Défecteur complet	Défecteur ouvert
Débit minimum	2,84 Lpm	2,84 Lpm	2,84 Lpm	4,16 Lpm
Volume de régénération	132 L	386 L	538 L	606 L

CP 208 – réservoirs de 8x4

Référence	Modèle	Description
11701	CP 208s OD	Adoucisseur Commercial Plus, réservoirs de 8x40, surmultiplication, réservoir de saumure de 18x35
11700	CP 208s OD	Adoucisseur Commercial Plus, réservoirs de 8x40, surmultiplication, pas de réservoir de saumure
11702	CP 208s OD	Adoucisseur Commercial Plus, réservoirs de 8x40, surmultiplication, pas de réservoir de saumure, pas de matière filtrante

CP 210 – réservoirs de 10x54

Référence	Modèle	Description
11704	CP 210s OD	Adoucisseur Commercial Plus, réservoirs de 10x54, surmultiplication, réservoir de saumure de 18x35
11703	CP 210s OD	Adoucisseur Commercial Plus, réservoirs de 10x54, surmultiplication, pas de réservoir de saumure
11705	CP 210s OD	Adoucisseur Commercial Plus, réservoirs de 10x54, surmultiplication, pas de réservoir de saumure, pas de matière filtrante

CP 213 – réservoirs de 13x54

Référence	Modèle	Description
11750	CP 213s OD	Adoucisseur Commercial Plus, réservoirs de 13x54, surmultiplication, réservoir de saumure de 24x40
11180A	CP 213s OD	Adoucisseur Commercial Plus, réservoirs de 13x54, surmultiplication, réservoir de saumure de 24x40, matière filtrante séparée
11184	CP 213s OD	Adoucisseur Commercial Plus, réservoirs de 13x54, surmultiplication, pas de réservoir de saumure, pas de matière filtrante
11190	CP 213s OD	Adoucisseur Commercial Plus, réservoirs de 13x54, surmultiplication, pas de réservoir de saumure, rempli de matière filtrante

CP 216 – réservoirs de 16x65

Référence	Modèle	Description
11182A	CP 216s OD	Adoucisseur Commercial Plus, réservoirs de 16x65, surmultiplication, réservoir de saumure de 24x40, matière filtrante séparée
11168A	CP 216s OD	Adoucisseur Commercial Plus, réservoirs de 16x65, surmultiplication, pas de réservoir de saumure, matière filtrante séparée
11186	CP 216s OD	Adoucisseur Commercial Plus, réservoirs de 16x65, surmultiplication, pas de réservoir de saumure, pas de matière filtrante

Réservoirs de saumure CP

Référence	Modèle	Description
7938A	18x35	Capacité de 113 kg de sel
10586A	24x40	Capacité de 227 kg de sel



Les adoucisseurs de la série CP ont été testés et certifiés par WQA pour leur conformité selon NSF/ANSI/CAN 61, Drinking Water System Components - Health Effects, NSF/ANSI 372, Drinking Water System - Lead Content and CSA Standard B483.1, Drinking Water Treatment Systems.

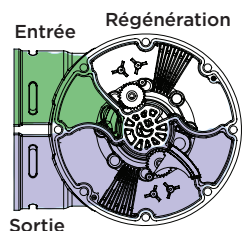


Les modèles d'adoucisseurs 208 et 213 de la série CP sont approuvés par la WRAS pour les applications d'eau froide.

SPÉCIFICATIONS DE FONCTIONNEMENT

Composants de la valve Kinetico

Les systèmes de conditionnement de l'eau KineticoPRO utilisent une conception à deux réservoirs pour assurer la disponibilité continue de l'eau traitée. Lorsqu'un réservoir régénère, l'autre fournit de l'eau traitée. La valve Kinetico contrôle le fonctionnement de chaque réservoir, le moment de la régénération de chaque réservoir et leur régénération effective.



Fonctionnement de niveau 1

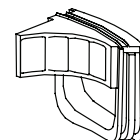
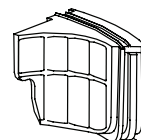
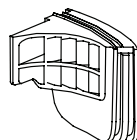
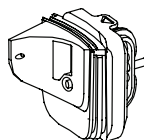
L'ensemble de niveau 1 comprend trois chambres : l'entrée, la sortie et la régénération.

L'eau dure pénètre dans la chambre d'entrée, est filtrée dans le réservoir de matière filtrante où elle est traitée. L'eau traitée passe du réservoir de matière filtrante dans la chambre de sortie. La chambre de sortie contient une turbine compteur d'eau qui tourne seulement lorsque l'eau est utilisée. Les engrenages raccordent la turbine compteur d'eau au disque compteur d'eau. Les engrenages du compteur du système sont définis comme le volume d'eau traitée requis pour faire tourner le disque compteur d'eau sur 360°.

Composants de la valve Kinetico

Tuyère

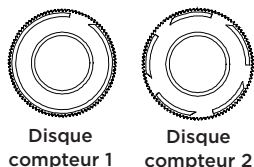
La précision et la plage du débitmètre dépendent de la tuyère utilisée avec le système. La plupart des unités incorporent une tuyère à demi-volet. Ce type de tuyère offre une capacité et une plage élevées de mesure de débit. Si un autre type de tuyère est utilisé, on obtiendra un volume de mesure par 360° différent sur le compteur d'eau. Veuillez consulter le tableau ci-dessous pour évaluer le nouveau volume.



	Micro Déflecteur	Demi-déflecteur	Déflecteur complet	Déflecteur ouvert
Numéro de pièce	10880B	11018	11019	15653
Plage de débit minimum	0,19 Lpm	1,1 Lpm	2,8 Lpm	4,2 Lpm
Plage de débit maximum	18,9 Lpm	94,6 Lpm	151,4 Lpm	189,3 Lpm

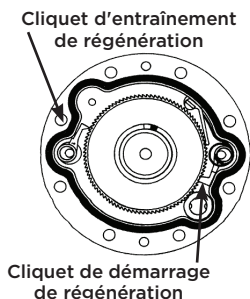
Estimation des litres entre la régénération (en utilisant un disque #1)

Volumes des engrenages	Micro Déflecteur	Demi-déflecteur	Déflecteur complet	Déflecteur ouvert
2-2-2-3	545	1 295	2 873	4 895
2-2-1-5	606	1 442	3 202	5 451
2-2-7-6	927	2 207	4 932	8 377
2-2-3-4	1 045	2 487	5 365	9 452
2-1-5-4	1 162	2 771	6 394	10 542
2-7-6-4	1 779	4 236	9 539	16 202
2-3-4-4	1 991	4 743	10 762	18 280
1-5-4-4	2 327	5 330	12 004	20 146
7-23-23-6	3 449	6 492	14 494	24 541
7-6-4-4	3 865	8 207	18 446	31 021
3-4-4-4	5 743	9 202	20 812	34 784
P20-P20-P14-P14-P14-P17	6 390	13 673	30 355	51 682
P20-P20-P14-P14-P13-P12	9 823	15 214	33 773	57 508
P20-P20-P14-P14-P15-P16	11 080	23 386	51 917	88 401
P20-P20-P14-P14-P17-P11	12 359	26 384	58 572	99 734
P20-P20-P14-P13-P12-P11	18 995	29 428	65 329	111 238
P20-P20-P14-P15-P16-P11	21 482	45 228	100 408	170 961
P20-P20-P14-P17-P11-P11	23 905	51 152	113 559	193 355
P20-P20-P13-P12-P11-P11	26 737	56 914	126 349	215 133
P20-P20-P15-P16-P11-P11	36 737	87 473	194 192	330 648



Engrenages du compteur

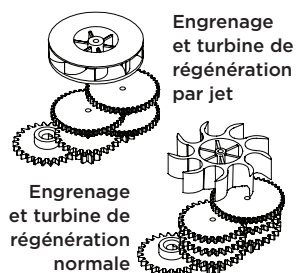
La fréquence de la régénération peut être réglée sans réajuster les engrenages. L'utilisation du disque compteur d'eau permet de multiples régénérations par cycle de 360° sur le compteur d'eau. Chaque coche de régénération sur le disque compteur d'eau initie une régénération lorsque le cliquet de démarrage chute dans un des segments du disque et s'engage dans la dent du disque de contrôle. Le nombre de régénérations d'un cycle de 360° est indiqué par le numéro du disque compteur d'eau.



Cliquets de régénération

Il est important de réaliser la présence de deux cliquets de régénération : le cliquet de démarrage de régénération et le cliquet d'entraînement de régénération. Le cliquet de démarrage de régénération fait avancer le disque suffisamment pour ouvrir la valve de régulation de régénération. Le compteur d'eau et le disque de contrôle avancent ensemble jusqu'à ce que le disque de contrôle mette en évidence un des trous du disque en céramique, situé directement sous le disque de contrôle. Ceci ouvre la valve de régulation et lance la régénération. Lorsque la valve a été ouverte, le cliquet d'entraînement de régénération continue de faire avancer le disque de contrôle pendant le cycle de régénération.

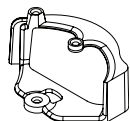
Lorsqu'elle est ouverte, la valve de régénération permet à l'eau de passer dans une tuyère où elle est dirigée vers la turbine de régénération dans la chambre de régénération. La rotation de la turbine de régénération entraîne le cliquet d'entraînement de régénération, qui fait tourner le disque de contrôle.



Régénération par jet

Pendant la régénération, l'eau est utilisée par la valve pour contrôler la séquence. Les unités dotées de la fonction de régénération par jet utilisent un contrôle de régénération de 0,76 Lpm pour limiter la quantité d'eau utilisée. En plus de ce petit contrôle de débit, la tuyère de régénération du niveau 2 et la turbine de régénération du niveau 1 sont également modifiées pour accepter ces taux de débit plus faibles.

La fonctionnalité de jet est incluse dans tous les systèmes CP.



Bride d'alignement d'engrenage

La bride d'alignement d'engrenage est utilisée pour maintenir un espace optimal entre les engrenages. Ceci permet de minimiser la perte de pression et de maximiser la sensibilité au débit.

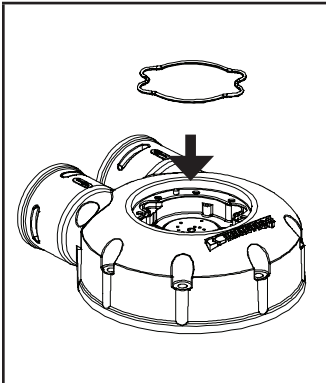
Disque de contrôle

Toutes les positions de valves internes sont contrôlées par le disque de contrôle. La rotation du disque de contrôle couvre et découvre des trous dans le disque en céramique (situé directement sous le disque de contrôle) et envoie ainsi des signaux de pression pour ouvrir et fermer toutes les valves internes. La séquence de régénération et la configuration de l'entretien (alternance ou surmultiplication) sont basées sur le type de disque de contrôle installé.

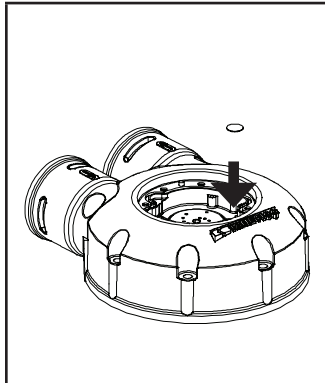


	Blanc	Noir	Beige
Numéro de pièce	4689	4700A	5565
Débit de service	Alternance	Alternance	Surmultiplication
Séquence de régénération :			
Rétrolavage	--	--	--
Saumure • Rinçage lent	75 %	60 %	76 %
Rétrolavage	25 %	40 %	24 %
Purge	--	--	--

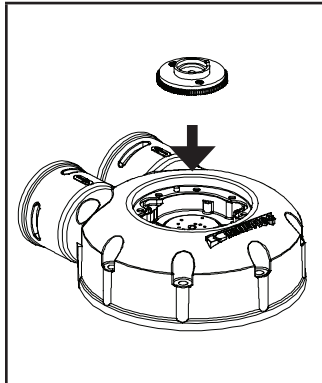
Disque de contrôle, grille et joint d'étanchéité



Placer le capuchon d'étanchéité dans la rainure.



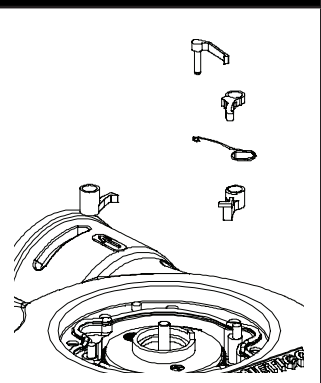
Insérer la grille de niveau 1 dans le trou à la position 5 heures.



Régler le disque de contrôle sur le disque en céramique, côté plat vers le bas. La tige de support va dans le trou au centre du disque de contrôle.

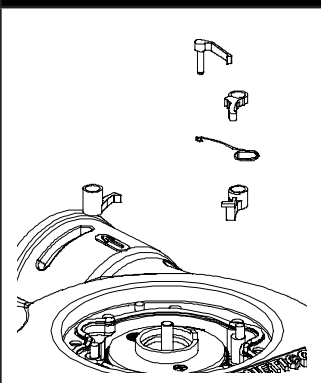
Cliquets

Étape 1



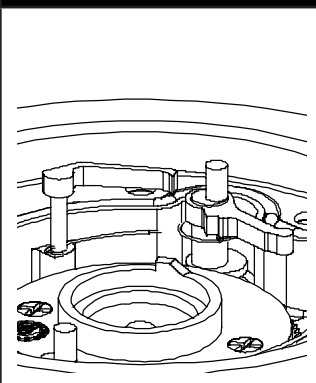
Placer le cliquet d'entraînement de régénération sur la tige excentrique à la position 10 heures avec le fil à ressort contre la paroi.

Étape 2



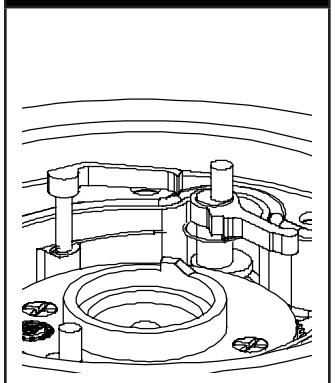
Placer le cliquet de démarrage de régénération sur la tige excentrique à la position 4 heures avec le fil à ressort contre la paroi.

Étape 3



Déposer la jambe du cliquet sans talon dans la petite boucle à une extrémité du ressort du cliquet d'entraînement du compteur en vérifiant que le bras vertical du ressort d'entraînement du compteur dépasse vers le haut. Placer la jambe du cliquet sans talon dans le petit trou, à la position 2 heures. Déposer la grande boucle du ressort d'entraînement du compteur par-dessus la tige excentrique, à la position 4 heures.

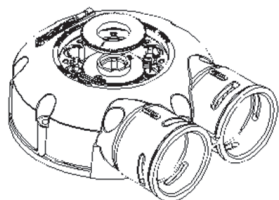
Étape 4



Placer le cliquet d'entraînement du compteur par-dessus le cliquet de démarrage de régénération en vérifiant que le bras vertical du ressort d'entraînement du compteur est placé dans la coche du cliquet d'entraînement du compteur, comme illustré dans le détail ci-dessus.

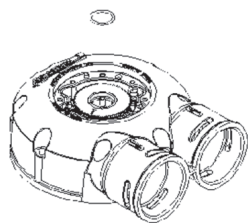
Disque compteur et piston d'équilibrage

Étape 1



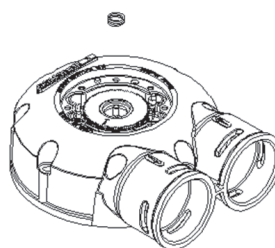
Forcer le cliquet d'entraînement du disque compteur contre le côté du niveau 1. En maintenant le cliquet d'entraînement du disque compteur contre le côté du niveau 1, placer le disque compteur sur le disque de contrôle avec les chiffres affichés vers le haut. S'assurer que le disque compteur est couché à plat contre le disque de contrôle.

Étape 2



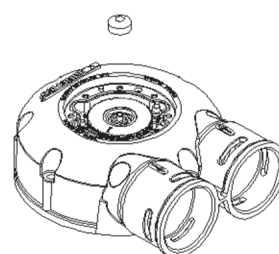
Placer le joint torique du piston d'équilibrage dans la rainure du disque de contrôle.

Étape 3



Régler le ressort du piston d'équilibrage au centre de la coupelle, sur le disque de contrôle.

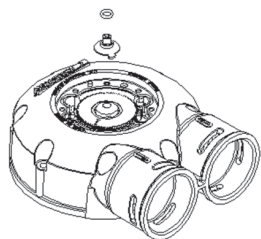
Étape 4



Placer le piston d'équilibrage sur le ressort du piston d'équilibrage.

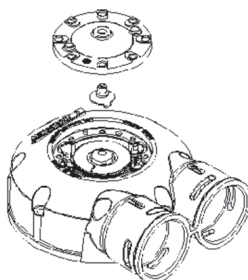
Capuchon

Étape 1



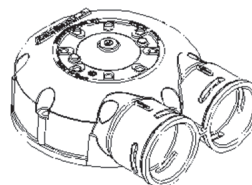
Faire glisser le joint torique de l'actionneur sur l'actionneur.

Étape 2



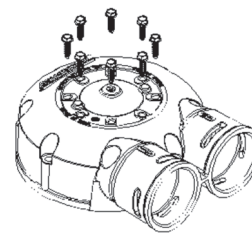
Placer l'actionneur dans le trou du capuchon surpassement de demande. La friction est suffisante pour que l'actionneur reste dans le capuchon surpassement de demande.

Étape 3

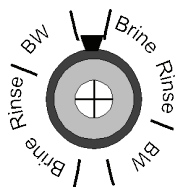


Placer le capuchon surpassement de demande sur l'ensemble e niveau 1 en s'assurant que la jambe du capuchon recouvre la grille du niveau 1 à la position 17 h.

Étape 4

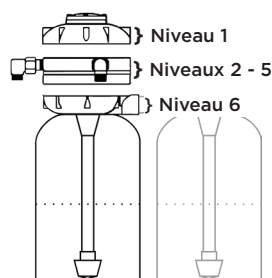


Fixer solidement le capuchon surpassement de demande avec les vis d'assemblage.



Indicateur du disque de contrôle

Un indicateur visuel sur le disque de contrôle (point noir) indique l'état du système à tout moment. Le disque de contrôle tourne dans le sens horaire. Lorsque le point de l'indicateur est à la position 12 heures, le réservoir à distance est en service. Lorsque le point de l'indicateur est à la position entre 12 heures et 6 heures, le réservoir à distance est en régénération. Lorsque le point de l'indicateur est à la position 6 heures, le réservoir principal est en service. Lorsque le point de l'indicateur est à la position entre 6 heures et 12 heures, le réservoir principal est en régénération.

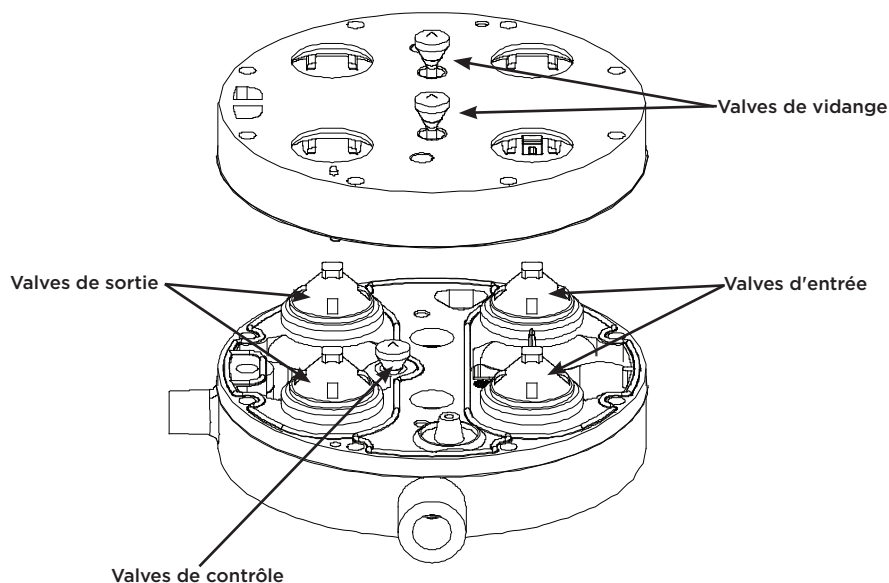
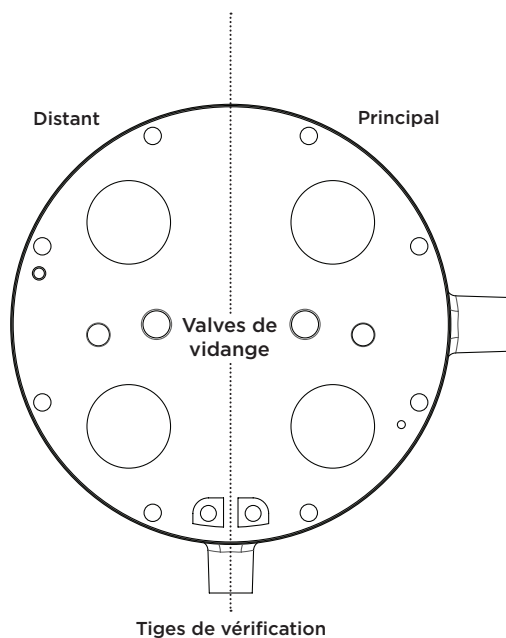


Valves inférieures

La section des valves inférieures comprend les ensembles de niveaux 2, 3, 4 et 5.

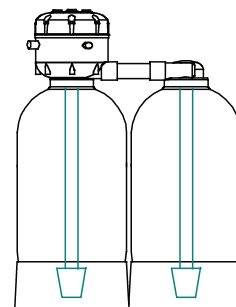
La valve de contrôle de régénération est située au centre. Cette valve s'ouvre lorsque 4 dents du disque de contrôle sont engagées. Lorsque cette valve s'ouvre, elle alimente le cycle de régénération.

Toutes les autres valves sont des paires : un ensemble pour le réservoir à distance et un ensemble pour le réservoir principal. Chaque réservoir de matière filtrante est doté d'une valve d'entrée, de sortie, de drainage et d'une valve à tige de vérification. Les valves d'entrée, de sortie et de drainage sont toutes des servovalves commandées par le disque de contrôle. Les tiges de vérification sont des valves simples à sens unique (clapet de non-retour). L'ensemble de ces valves contrôle le débit d'eau à l'entrée et à la sortie du réservoir de matière filtrante pendant le service et pendant la régénération.



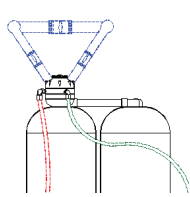
Niveau 6

Les adoucisseurs CP utilisent un service de flux descendant et de régénération par contre courant. L'eau non traitée entre dans la valve et circule vers le bas à travers la résine jusqu'au tube distributeur et vers la sortie pour le service. Le débit de régénération circule dans le sens opposé.

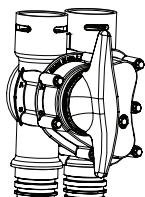


Flux descendant

Composants supplémentaires du système



Principal Distant



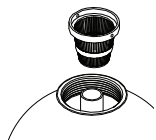
Valve de dérivation

Dérivation du système

Une dérivation est recommandée pour chaque système. On peut installer trois clapets à bille ou installer la valve de dérivation Kinetico (référence 11351A). Ceci permet d'isoler le système lors de l'entretien. Les valves de dérivation ne sont pas incluses dans la trousse du système.

Réservoirs de résine

Chaque système utilise deux réservoirs de résine. Le réservoir principal inclut la valve de contrôle Kinetico. Le réservoir secondaire est appelé réservoir à distance.



Distributeur supérieur

Le distributeur empêche l'acheminement du flux d'entrée dans la partie supérieure du lit de résine. Un distributeur en plastique moulé est fixé sur la partie inférieure de la valve de contrôle. Les distributeurs empêchent également la résine de s'échapper du réservoir lors du rétrolavage.

Tube interne

Un tube ascendant est utilisé pour raccorder le distributeur inférieur à la valve de contrôle. Ce tube a un diamètre de 25,4 mm. Le tube ascendant du CP 216s OD augmente à 38,1 mm.

Distributeurs

Les distributeurs inférieurs sont conçus comme des moyeux à fentes. Ce cône permet une excellente distribution du débit à travers le lit de résine.

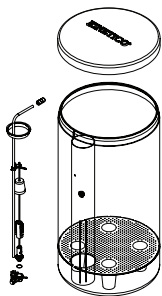
Matière filtrante

Des billes uniformes de résine, à grande capacité sont utilisées dans les adoucisseurs commerciaux compacts. La résine à une capacité de 68,65 g/L lors d'une régénération à un réglage de saumure de 0,24 kg/L.

Interconnexion des réservoirs

Chaque système de réservoir double utilise un ensemble d'interconnecteurs permettant à l'eau de voyager à partir de la valve de contrôle principale jusqu'au réservoir distant. Cette tuyauterie d'interconnexion est incluse dans la trousse du système. Cette tuyauterie utilise un joint torique double permettant un raccordement sans fuite. Un anneau de jonction et des tiges maintiennent ensemble les réservoirs sous pression.

Réservoirs de saumure



Un réservoir de saumure est requis avec le système standard. Ces réservoirs permettent le chargement de sel de qualité adoucisseur et fournissent l'eau qui dissout la saumure pour la transformer en liquide saturé.

L'eau adoucie est acheminée dans le réservoir de saumure par la valve de contrôle pendant la séquence de régénération normale.

En guise de sécurité, les réservoirs de saumure sont dotés d'un raccordement d'évacuation en cas de débordement du réservoir.

Une valve à saumure est également incluse dans le réservoir de saumure. Cette valve est utilisée pour régler le volume ou la production de saumure lors de chaque cycle

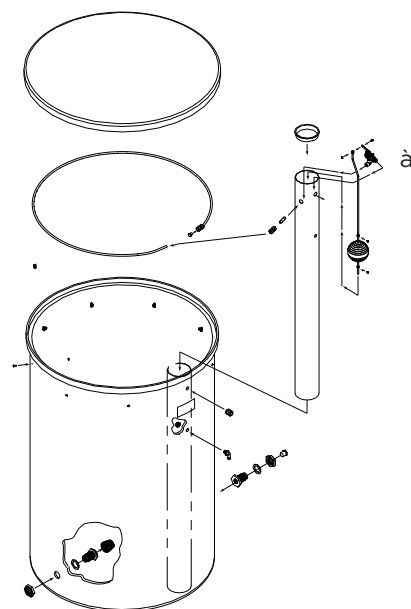
Système de saumure central

Un système de saumure central est disponible pour les systèmes multiples et de grande taille. Ce système remplace le besoin de réservoirs de saumure multiples lors de l'installation d'unités multiples en parallèle.

Le système de saumurage central offre des fonctionnalités qui ressemblent celle des réservoirs de saumure indépendant; toutefois, afin d'accommoder des systèmes multiples, le remplissage de saumure est exécuté par un mécanisme à flotteur raccordé à la sortie d'alimentation en eau adoucie du système.

Un clapet de non-retour est ajouté à chaque adoucisseur de la conduite de saumure pour permettre le fonctionnement adéquat de l'unité avec le système de saumurage central.

- 4724Aaccumulateur de saumure S/C, 24x48, percé
- 4726Aaccumulateur de saumure S/C, 39x60, percé
- 4728Aaccumulateur de saumure S/C, 50x60, percé
- 4781composants internes de l'accumulateur de saumure S/C
- 7952nécessaire de clapet de non-retour de saumure S/C



Modification de la valve pour le fonctionnement du saumurage central


Le col de Venturi pourra être changé pour s'adapter à l'unité CP sélectionnée. Ceci permettra de régler la quantité de sel utilisée pour la régénération.

Unité	Aucune modification		Changement de valve recommandé	
	Col	Sel par cycle	Col	Sel par cycle
CP 208	Beige (3343)	3,9 kg	Bleu foncé (2293)	2,5 kg
CP 210	Blanc (1043)	13,6 kg	Beige (3343)	0,7 kg
CP 213	Jaune (6017)	19 kg	Transparent (2379)	8,6 kg
CP 216	Jaune (6017)	19 kg	Noir (1045)	15,9 kg

INSTALLATION

Pour commencer














Les procédures suivantes ont été développées pour faciliter l'installation de l'adoucisseur KineticoPRO.

-  **RESPECTER TOUS LES CODES DE LOCAUX, PROVINCIAUX ET DE L'ÉTAT/LA PROVINCE**, y compris notamment :
la distance de l'équipement entre le panneau principal et les sorties électriques.
Fournir des intervalles d'air pour toutes les conduites de vidange.

Vérification avant l'installation

Avant de commencer l'installation du système KineticoPRO, veuillez vérifier la configuration du système à installer, ainsi que les composants qui ont été commandés. Veuillez également consulter la fiche du produit KineticoPRO, car elle inclut les composants requis.

Vérifier que l'installation du client est également recommandée, en particulier les données de fonctionnement critiques pouvant influencer le fonctionnement du système :

-   **La pression d'eau du système KineticoPRO influence la performance pendant la régénération. Le système KineticoPRO ne fonctionnera pas correctement si la pression d'entrée fluctue en dessous de la pression dynamique de 1,7 bar. La pression minimale doit être maintenue dans le système en tout temps. Si la pression fluctue en dessous de ce niveau, une pompe de surpression pourrait être requise.**
-  **Ne pas utiliser une pression d'eau supérieure à 8,6 bar ou une température d'eau supérieure à 49 °C.**
-  **Ne pas installer l'adoucisseur KineticoPRO dans une zone où la température pourrait faire geler l'appareil. Le système pourrait alors subir des dommages.**
-  **Kinetico recommande qu'un installateur certifié WQA effectue l'installation. Une installation du système qui ne respecte pas les instructions entraîne l'annulation de la garantie.**
-  **Une ventilation adéquate doit être fournie lors de l'utilisation d'un nettoyeur ou d'une colle PVC.**
-  **Utiliser un diable pour déplacer l'équipement dans des escaliers.**
-  **Utiliser un préfiltre avant l'adoucisseur pour éviter la pénétration de tout corps étranger dans l'équipement.**
-  **TRÈS IMPORTANT! Lorsqu'un débordement du réservoir de saumure risque de causer des dommages, une conduite d'évacuation de 12,7 mm de diamètre intérieur doit être installée sur le raccord ébarbé du réservoir et raccordée à une vidange. S'assurer que le drain n'est pas placé plus haut que le raccord ébarbé.**
REMARQUE : Dégager le long du mur où la conduite de vidange en PVC sera acheminée jusqu'à l'évacuation dans le sol. Kinetico ne recommande pas d'acheminer des tubes flexibles sur le sol ou le long des murs, car ces tubes peuvent être déplacés de l'emplacement de vidange sur le sol, ou encore pincés, ce qui entraînerait un rétrolavage inadéquat.
-  **Lors d'une installation de composants en plastique, installer des bracelets de mise à la terre AVANT de couper les lignes pour s'assurer que le circuit de masse n'est jamais coupé.**
-  **Lorsque l'installation est terminée, les conduites de plomberie doivent être désinfectées au chlore. De l'eau de Javel ordinaire peut être utilisée. La quantité d'eau de Javel varie en fonction de la taille, de la longueur et des installations de plomberie. Pour obtenir de plus amples renseignements sur la désinfection, se référer à la page 2.**
-  **Lorsque l'eau est ferrugineuse, il est recommandé d'utiliser un sel qui contient des additifs de nettoyage de résine. (IMPORTANT! Cela ne s'applique pas aux unités avec tanin.)**
REMARQUE : Un sel de qualité appropriée est fortement recommandé. Ne pas utiliser de sel de mine.
-  **Lire attentivement toutes les étapes, les guides et les règles avant d'installer et d'utiliser l'adoucisseur KineticoPRO.**

Installation de l'adoucisseur KineticoPRO CP 208 - CP 216

I. Préparation

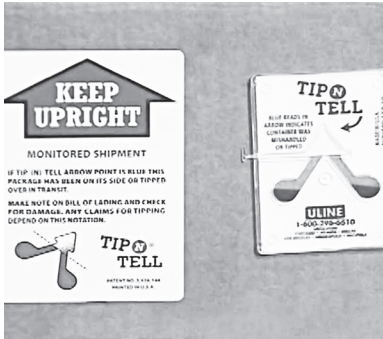


- A. Les outils et le matériel suivants sont requis pour l'installation : Tournevis cruciforme, clé anglaise, clé à tube, pince, coupe tuyaux, colle à filetage/ruban en Téflon, échelle ou marchepied, tube de conduite d'évacuation et sel adoucisseur d'eau.
- B. Déterminer l'emplacement où l'équipement sera installé. Vérifier que l'unité sera installée sur une surface plane. Tester l'eau pour confirmer que l'unité a la taille recommandée pour l'installation. Si du sable, du limon ou de la turbidité sont présents, installer un préfiltre.



Utiliser une échelle pour tout le travail devant être effectué au-delà d'une portée naturelle. Pour un travail en permanence à une hauteur de six pieds ou plus, utiliser des dispositifs de sécurité appropriés.

II. Inspection



Inspecter tous les emballages pour y détecter des signes de dommages. Inspecter l'indicateur de basculement Tip-Tell pour s'assurer que le système n'a pas été renversé. Si l'indicateur indique un basculement, refuser la livraison. Si l'installation a déjà reçu la livraison, ne pas installer l'adoucisseur, car il ne fonctionnera pas correctement. Dans les deux cas, communiquer avec votre représentant pour obtenir un remplacement de l'équipement.

III. Couper l'alimentation en eau



Avant de commencer, couper l'alimentation en eau vers l'emplacement de l'installation.



Mise en garde : Les radiateurs et les pompes de recirculation pourraient exiger une isolation pendant ce processus, afin de prévenir des dommages. S'assurer de discuter avec le gestionnaire du site pour déterminer la meilleure procédure à suivre.

IV. Mise en place de l'équipement



- A. Mettre l'équipement en place afin de déterminer la meilleure orientation de la plomberie.

B. INSTALLATION DE LA MATIÈRE FILTRANTE :

Retirer le module et les bases distantes des réservoirs de matière filtrante.

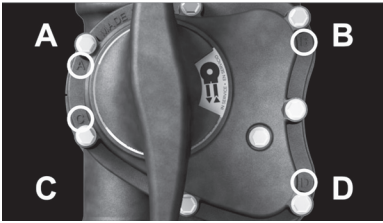
- Couvrir correctement les tubes distributeurs pour empêcher la matière filtrante de pénétrer à l'intérieur.
- Pour le modèle CP 213, placer 11 kg ou 7,08 L de gravier dans chaque réservoir. Pour le modèle CP 216, placer 34 kg ou 21,24 L de gravier dans chaque réservoir. Aucune base n'est utilisée pour les modèles CP 208 et CP 210.
- Pour le modèle CP 208, placer 19,8 L de résine à grande capacité dans chaque réservoir. (Ceci devrait laisser 381 mm de franc bord.) Pour le modèle CP 210, placer 42,48 L (1 1/2 sac) de résine à grande capacité dans chaque réservoir. (Ceci devrait laisser 381 mm de franc bord.) Pour le modèle CP 213, placer 70,8 L (2 1/2 sacs) de résine à grande capacité dans chaque réservoir. (Ceci devrait laisser 356 mm de franc bord.) Pour le modèle CP 216, placer 113 L (4 sacs) de résine à grande capacité dans chaque réservoir, ce qui laisse 457 mm de franc bord. Les profondeurs de franc bord sont des estimations et changeront avec le tassement et la forme de la résine.
- Enlever le couvercle des tubes distributeurs et remettre le module et les bases distantes sur les réservoirs.

Remarque : Le CP 216 est doté d'un adaptateur avec distributeur qui doit d'abord être fileté dans le réservoir avant l'installation du module.

V. Raccordement du système

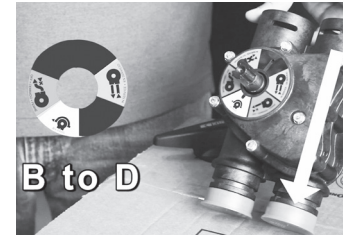
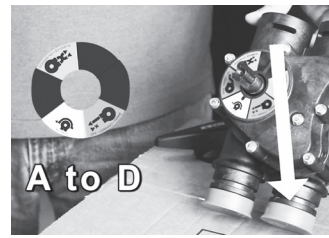
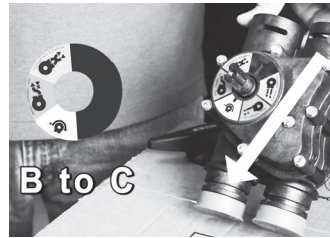
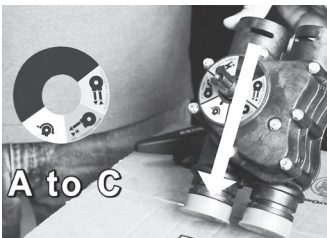
Option 1 - Préparer la valve de dérivation (référence 11351A vendue séparément)

REMARQUE : Chaque orifice de la valve de dérivation affiche une lettre spécifique à utiliser pour l'identification.



- A. Déterminer l'orifice de la valve de dérivation qui acceptera le raccordement d'eau dure. L'orifice A ou B peut être sélectionné.
- B. Déterminer ensuite l'orifice de la valve de dérivation qui sera raccordé à l'entrée du système. L'orifice A ou B peut être sélectionné.
- C. Tourner la poignée jusqu'à ce que l'indicateur de dérivation jaune apparaisse dans la fenêtre de vue et enlever la poignée en la tirant du corps de la valve. Enlever la poignée.

D. La valve de dérivation permet de choisir quatre configurations d'installation. Pour configurer la valve, repérer d'abord l'autocollant noir de masquage dans la trousse d'installation. Appliquer l'autocollant sur le disque de l'indicateur en fonction de la configuration choisie, pour permettre aux utilisateurs de sélectionner les modes de valve appropriés et de masquer ceux qui ne doivent pas être utilisés.



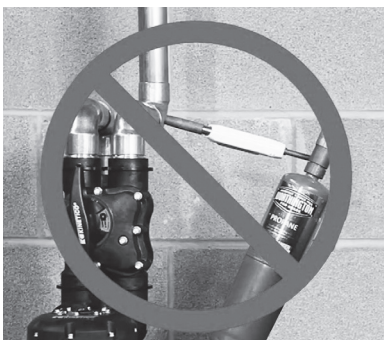
E. Regarder sous la poignée et aligner correctement la zone marquée avec l'axe. Pousser la poignée jusqu'au déclic.



- F. Préparer la valve de dérivation en lubrifiant et en installant d'abord tous les joints toriques requis sur les coudes de l'adaptateur. Installer ensuite les joints toriques sur la valve de dérivation.
- G. Des coudes gauche et droit spécifiques sont inclus. Installer les coudes adaptateurs sur la valve de dérivation. Installer le coude gauche sur l'orifice D. Installer le coude droit sur l'orifice C. Installer les attaches en E ici.
- H. Insérer l'ensemble de dérivation dans l'adoucisseur.



- I. Insert the plumbing adapters into the by-pass valve. Dry fit connections in order to determine the best place to cut into the plumbing to connect the in and out ports.
- J. Once measurements are taken, remove the adapters from the by-pass valve. Move the softener away from the plumbing and remove the entire by-pass assembly, first removing the E-clips. Do not sweat any plumbing with the by-pass valve attached.



K.  Au moment de faire les soudures, procéder comme suit :

- Utiliser de la soudure SANS PLOMB.
- Les contenants en PVC et autre matériaux inflammables doivent être fermés ou enlevés pour éviter un incendie ou des explosions.
- Ne pas porter de vêtements amples (c.-à-d. surchemise, manches, etc.) ou les ajuster avant l'utilisation d'une torche à souder.
- Le client doit être avisé de toute désactivation de détecteur de fumée pendant l'installation. S'assurer de réactiver toute alarme désactivée.
- Recouvrir d'une protection ignifuge toutes les surfaces qui pourraient être exposées aux flammes ou à la chaleur. Porter des lunettes de protection pendant l'installation pour éviter toute blessure aux yeux due aux éclaboussures de matériaux de soudure ou de copeaux de métal / plastique.

- Ne pas souder les adaptateurs en laiton lorsqu'ils sont insérés dans la base principale du module. Les pièces en plastique et en caoutchouc pourraient subir des dommages causés par la chaleur, ce qui pourrait entraîner des fuites d'eau.
- Les matériaux utilisés pour la soudure pourraient détériorer certains types de plastiques. Pendant le processus d'installation, s'assurer que la soudure et le flux n'entrent pas en contact avec les réservoirs de matière filtrante, le module de commande, les attaches en E et les composants en plastiques qui leurs sont associés.



L. Couper et acheminer la plomberie, puis installer les adaptateurs requis. Veiller à respecter tous les codes.

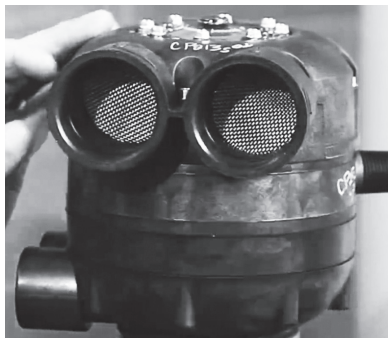
M. Après le refroidissement de la plomberie, lubrifier et installer les joints toriques sur les quatre rainures des adaptateurs de plomberie



N. Raccorder l'ensemble de la valve de dérivation sur les adaptateurs de plomberie en utilisant les attaches fournies. S'assurer que les attaches sont complètement logées dans toutes les fentes.



O. Après l'installation des composants de dérivation, mais avant le raccordement des systèmes, rincer les conduites en ouvrant brièvement les valves correspondantes pour rincer les débris résultant de l'installation. Une bonne pratique est de rincer avec suffisamment d'eau pour remplir un seau de 18,9 L. Ensuite, refermer les valves.




- P. Il est recommandé d'installer les grilles (référence 11456) dans les orifices d'entrée et de sortie du module de commande de l'adoucisseur.
- Q. Raccorder ensuite l'adoucisseur aux coudes d'entrée et de sortie de la valve de dérivation en la poussant en position.
- R. Installer les attaches en E pour raccorder la valve de dérivation à la valve de contrôle.
 - Il est important d'insérer complètement les attaches en E dans la valve de contrôle Kinetico. Vérifier que les trois onglets des attaches en E sont complètement insérés. Ne pas réutiliser d'anciennes attaches en E, remplacer par de nouvelles attaches.

VI. Raccordement du système

Option 2 - Raccorder une triple valve de dérivation



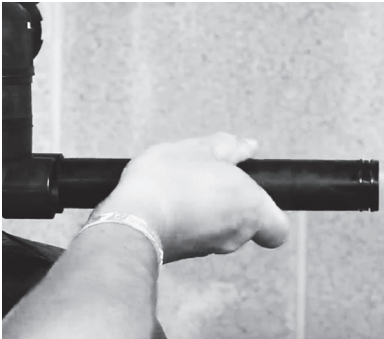
- A. Si une valve de dérivation Kinetico n'est pas utilisée avec l'équipement, raccorder une triple valve de dérivation permettant d'isoler le système.
- B. Insérer les adaptateurs de plomberie dans le module de commande de l'adoucisseur.
- C. Ajuster les raccords à sec pour déterminer l'emplacement idéal de coupe de la plomberie pour le raccordement des orifices d'entrée et de sortie au module de commande de l'adoucisseur.
- D. Après la prise des mesures, enlever les adaptateurs du module de commande. Éloigner l'adoucisseur de la plomberie.

- E.  Lors de la soudure, procéder comme suit :
 - Utiliser de la brasure SANS PLOMB.
 - Les contenants en PVC et autre matériaux inflammables doivent être fermés ou enlevés pour éviter un incendie ou des explosions.
 - Ne pas porter de vêtements amples (c.-à-d. surchemise, manches, etc.) ou les ajuster avant l'utilisation d'une torche à souder.
 - Le client doit être avisé de toute désactivation de détecteur de fumée pendant l'installation. S'assurer de réactiver toute alarme désactivée.
 - Recouvrir d'une protection ignifuge toutes les surfaces qui pourraient être exposées aux flammes ou à la chaleur. Porter des lunettes de protection pendant l'installation pour éviter toute blessure aux yeux due aux éclaboussures de matériaux de soudure ou de copeaux de métal / plastique.
 - Ne pas souder les adaptateurs en laiton lorsqu'ils sont insérés dans la base principale du module. Les pièces en plastique et en caoutchouc pourraient subir des dommages causés par la chaleur, ce qui pourrait entraîner des fuites d'eau.
 - Les matériaux utilisés pour la soudure pourraient détériorer certains types de plastiques. Pendant le processus d'installation, s'assurer que la soudure et le flux n'entrent pas en contact avec les réservoirs de matière filtrante, le module de commande, les attaches en E et les composants en plastiques qui leurs sont associés.
- F. Couper et acheminer la plomberie, puis installer les adaptateurs requis. Veiller à respecter tous les codes.
- G. Après le refroidissement de la plomberie, lubrifier les joints toriques et les installer dans les quatre rainures des adaptateurs de plomberie.
 - Après l'installation des composants de dérivation, mais avant le raccordement des systèmes, rincer les conduites en ouvrant brièvement les valves correspondantes pour rincer les débris résultant de l'installation. Une bonne pratique est de rincer avec suffisamment d'eau pour remplir un seau de cinq gallons (18.9 L). Ensuite, refermer les valves.
 - Raccorder le module de commande sur les adaptateurs de plomberie en utilisant les attaches en E fournies.
 - i. Il est important d'insérer complètement les attaches en E dans la valve de contrôle Kinetico. Vérifier que les trois onglets des attaches en E sont complètement insérés. Ne pas réutiliser d'anciennes attaches en E, remplacer par de nouvelles attaches.

VII. Raccordement des réservoirs d'adoucissement



- A. Repérer les deux tuyaux de raccordement auxquels sont déjà fixés les joints toriques, le lubrifiant de silicone, les tiges de connecteurs et les anneaux de jonction.



- B. Appliquer du lubrifiant aux joints toriques des tuyaux de raccordement pour assurer un recouvrement complet.
- C. Insérer les tuyaux de raccordement dans les orifices du module de commande de l'adoucisseur



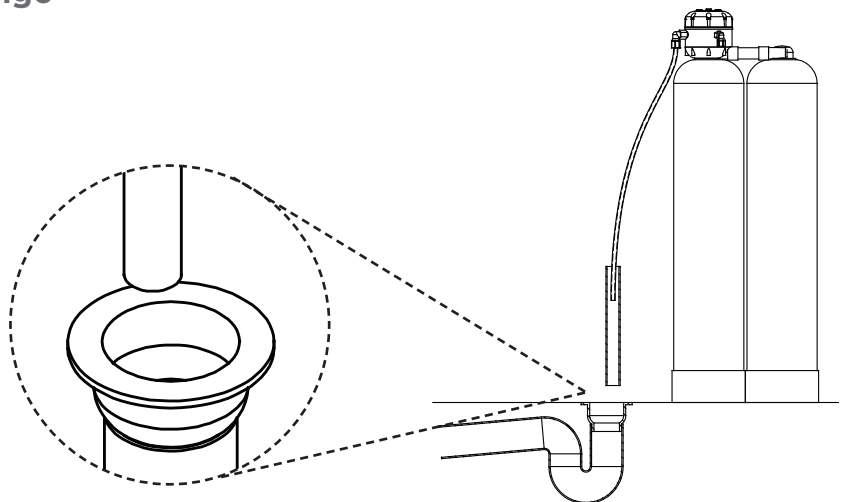
- D. Ensuite, placer le deuxième réservoir d'adoucissement et le fixer au tuyaux de raccordement. S'assurer que tous les raccordements sont logés complètement. Fixer solidement le raccordement avec les anneaux et les tiges fournis. Utiliser les anneaux de jonction et les tiges.


VIII. Acheminer la conduite de vidange

- A. Maintenant, acheminer la conduite de vidange de l'adoucisseur vers l'emplacement de vidange en utilisant un tube en plastique blanc de 15,9 mm. Les options les plus courantes sont l'acheminement d'une conduite de vidange vers une vidange dans le sol ou une conduite verticale. S'assurer de suivre les bonnes procédures d'intervalle d'air pour éviter la contamination croisée.



Fournir des intervalles d'air pour toutes les conduites de vidange. Consultez.



 Ne pas acheminer la conduite de vidange sur plus de 2,4 m à la verticale à partir de la partie supérieure de l'adoucisseur ou sur plus de 9,1 m au total. Les conduites de vidange des CP 213 et 216 dont la hauteur verticale dépasse 2,4 m et la distance totale dépasse 9,1 m, il est préférable d'utiliser une conduite de vidange de 15,9 mm qui s'ajuste à la valve et de la fixer sur une conduite ou sur un tuyau de plus grand diamètre. Le CP 208 et 210 utilisent une conduite de vidange de 12,7 mm. Cela éliminera les risques de restrictions. Une conduite de vidange dont la hauteur dépasse 3 m empêchera le venturi d'aspirer la saumure.



- B. Appliquer du ruban en Téflon aux raccords mâle et femelle sur le côté du module de commande de l'adoucisseur.



- C. Repérer les raccords adéquats dans la trousse d'installation et les installer sur les filets mâle et femelle.
- D. Insérer la conduite de vidange dans le raccord de vidange principal. S'assurer qu'il est complètement logé. Serrer le raccord à la main pour l'ajuster, puis serrer sur 1 1/2 à 2 tours avec une clé pour le loger complètement. Ne pas trop serrer. Laisser l'autre raccord pour le moment. Il faudra y revenir à une étape ultérieure du processus d'installation.



REMARQUE : S'assurer d'éviter les déformations ou les obstructions, car elles nuisent au bon fonctionnement du système.

IX. Configuration du système

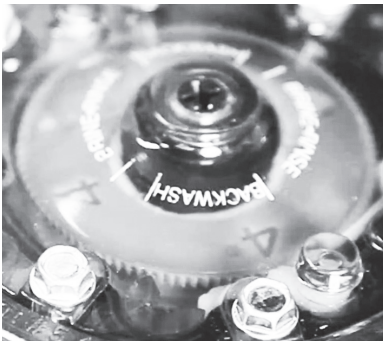
A. Vérification du système

La première étape, et la plus importante, dans la configuration du système est de tester l'eau correctement. Au minimum, l'eau doit être testée pour sa teneur en fer et sa dureté. Ces deux contaminants jouent un rôle critique dans le fonctionnement de l'adoucisseur. La dureté sera mesurée en gpg, mg/L ou degrés de dureté et le fer sera mesuré en mg/L. Lors de la mesure du fer, une quantité totale est requise, toutefois, il faut vérifier si le fer est sous forme ferreuse (eau claire) ou ferrique (précipité). La forme ferreuse du fer sera éliminée par l'échange ionique et devra être prise en compte dans les calculs (le fer ajouté à la dureté produit une valeur de dureté compensée).

Calcul de la dureté compensée:

- i. Dureté en gpg + (3 x fer en mg/L) = dureté compensée en gpg
- ii. Dureté en mg/L + (51 x fer en mg/L) = dureté compensée en mg/L
- iii. Dureté en ppm + (51 x fer en mg/L) = dureté compensée en ppm
- iv. Dureté en TH + (3 x fer en mg/L) = dureté compensée en TH
- v. Dureté en degrés français (fH) + (5 x fer en mg/L) = dureté compensée en fH

B. Maintenant, préparer la valve de contrôle de l'adoucisseur pour assurer une mesure adéquate de l'eau. Trouver la dureté compensée de l'eau brute dans le tableau de sélection de disque, au bas de la feuille de données aux pages 26 à 29.

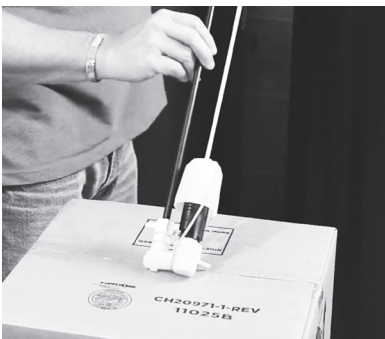


C. Vérifier le disque compteur sous le capuchon ambre de la valve de contrôle de l'adoucisseur. Si le bon disque n'est pas déjà installé dans le système, le remplacer par le disque au numéro approprié fourni dans la trousse d'installation en suivant les étapes ci-dessous.

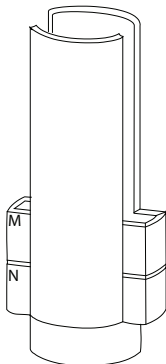
D. Changement du disque:

- Enlever d'abord les huit vis et le capuchon de la partie supérieure de la valve de contrôle de l'adoucisseur.
- Enlever ensuite le piston d'équilibrage et le ressort du centre de la valve.
- Déplacer avec précaution le cliquet d'entraînement pour libérer le disque compteur.
- Enlever ensuite le disque compteur et le remplacer par le nouveau disque compteur.
- Réassembler la zone de contrôle en remettant le ressort et le piston d'équilibrage.
- Remettre ensuite le capuchon transparent et les vis. Pour éviter de dénuder les têtes de vis, les tourner dans le sens antihoraire jusqu'à ce qu'elles s'enfoncent légèrement dans les filets où elles doivent s'engager. Serrer ensuite toutes les vis de façon uniforme en utilisant un motif croisé traditionnel en serrant d'abord une vis, puis sa vis opposée. Répéter l'opération pour toutes les vis. Utiliser seulement des outils à main. Ne pas utiliser d'outils électriques pour serrer les vis, cela pourrait endommager le capuchon.

X. Réglage de la dose de sel



- A. Placer le réservoir de stockage à proximité du système et enlever le couvercle.
- B. Enlever la valve à saumure du puits de saumure, situé dans le réservoir de saumure, afin de la régler correctement.



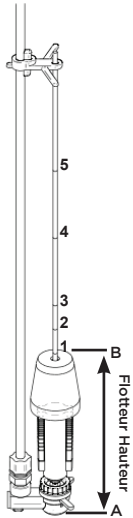
Tube ajusteur
(réglé à = M)

C. Réglage de la dose de sel

Deux composants permettent de régler la dose de sel: le tube ajusteur et le flatteur. Ces deux composants sont requis pour obtenir le bon dosage. Dans certains systèmes de saumurage, le tube ajusteur n'est pas utilisé. **Consulter le tableau des pages 30 à 32 pour déterminer les réglages qui conviennent au système en fonction de la taille du réservoir de saumure.**

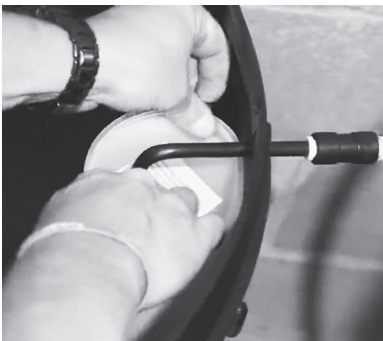
i. Tube ajusteur

Le tube ajusteur est réglé en coupant et en enlevant les onglets sur les deux côtés du tube. Utiliser un canif pour couper chaque onglet sur l'horizontale en suivant le canal dans le plastique et couper chaque onglet individuellement jusqu'à l'obtention de l'ajustement voulu. Le numéro ou la lettre imprimé qui reste sur l'onglet détermine l'ajustement correct. Le dessin sur la droite indique un tube ajusteur réglé à « M ».



ii. Flotteur

Le flotteur est réglé en ajustant la hauteur au dessus de l'ensemble de la valve à saumure. Si un réglage standard est utilisé (S1 à S5), aligner la partie supérieure du flotteur au réglage standard. Lorsque le réglage standard ne convient pas, la hauteur désirée du flotteur doit être mesurée et réglée en fonction de la hauteur spécifiée, mesurée de A à B, comme l'illustrent les réglages de la figure sur la gauche.



- D. Remettre l'ensemble de la valve à saumure sur le puits, dans le réservoir de saumure. S'assurer de ne pas frapper le flotteur et de modifier par inadvertance le réglage du flotteur. S'assurer que le tube plié s'enclenche dans la fente à l'arrière du réservoir et que la valve est complètement logée. Ensuite, fixer solidement le capuchon du puits.



- E. Enlever du réservoir de saumure le tube de la conduite de saumure de 9.5 mm. Fixer une extrémité du tube de la conduite de saumure à l'ensemble du tube plié sur la valve à saumure. S'assurer que le tube est complètement logé dans le raccord. Raccorder l'autre extrémité du raccord ouvert sur la valve de contrôle de l'adoucisseur. Serrer le raccord à la main pour l'ajuster, puis serrer sur 1 1/2 à 2 tours avec une clé pour le loger complètement. Ne pas trop serrer. En général, la longueur de la conduite de saumure ne doit pas dépasser 1,8 m, bien que des distances plus longues soient possibles en fonction de paramètres différents, comme la pression d'entrée.



- F. Fixer le tuyau de débordement au raccord ébarbé sur le réservoir de saumure et l'acheminer vers une vidange. Comme le tuyau de débordement n'est pas pressurisé, le cheminement doit être installé de sorte que la gravité assure le drainage du débordement.

XI. Désinfection du système

Les systèmes d'eau KineticoPRO sont conçus pour une utilisation sur des alimentations en eau salubre sur le plan microbiologique. Si la sécurité de l'alimentation en eau est compromise pour un motif quelconque (comme une alerte municipale demandant de faire « bouillir l'eau » ou lorsque des bactéries sont détectées dans un puits), utiliser un système de dérivation jusqu'au rétablissement de la salubrité microbiologique.

REMARQUE : Lorsque l'installation est terminée, nettoyer les conduites de plomberie et l'adoucisseur avec du chlore pour les désinfecter. De l'eau de Javel ordinaire fera l'affaire. La quantité d'eau de Javel varie en fonction de la taille, de la longueur et des installations de plomberie.

Procédure recommandée pour la désinfection de l'adoucisseur:

1. Mélanger dans un seau la quantité indiquée d'eau de Javel dans de l'eau propre et douce. Vous devriez obtenir une solution de 100 ppm. Le tableau ci-dessous indique les gallons de solution requis pour chaque paire de réservoir.

Remarque : Si chaque réservoir exige plus que 15 L de solution, il est recommandé d'utiliser 2 seaux

Modèle	CP208	CP210	CP213	CP216
Taille des réservoirs (mm)	203 x 1 016	254 x 1 372	330 x 1 372	406 x 1 651
Solution par gallon (L)	3,79	7,57	11,36	15,14
Eau de Javel par réservoir (L)	0,007	0,015	0,022	0,030
Solution complète (L)	7,57	15,14	22,71	30,28
Qté totale d'eau de Javel requise (L)	0,015	0,030	0,044	0,355

2. Débrancher la conduite de saumure et mettre le tube de 9,5 mm dans le récipient contenant le mélange d'eau de Javel de l'étape ci-dessus.
3. Placer l'appareil en mode de tirage de saumure dans un réservoir.
4. Aspirer le mélange jusqu'à ce qu'une forte odeur d'eau de Javel soit détectée (sentie ou testée) dans la conduite d'évacuation. Cette procédure devrait générer environ 20 ppm de solution mixte. Si nécessaire, insérer le tube de 9,5 mm dans le deuxième seau de solution et l'aspirer dans le réservoir après avoir vidé le premier seau, selon la solution requise pour chaque réservoir, indiquée à l'étape 1.
5. Passer rapidement à l'autre réservoir et répéter la procédure en utilisant le premier seau et/ou en passant au deuxième seau de solution (si nécessaire). S'assurer d'aspirer la solution requise pour chaque réservoir, comme indiqué dans la liste à l'étape 1.
6. Faire tourner le disque de contrôle à la position d'entretien et laisser l'unité en pause pendant 30 à 60 minutes. Plus l'eau est froide plus le temps de pause doit être long.
7. Raccorder la conduite de saumure (tube de 9,5 mm) au réservoir de saumure et rétrolaver deux fois chaque réservoir de l'adoucisseur.

XII. Mise en ligne du système



- A. Remplir le réservoir de saumure avec du sel d'adoucisseur. Utiliser seulement du sel évaporé, sous forme de granules, de cubes ou de blocs. Ne PAS utiliser du sel de mine, du sel marin ou d'autres sels non purifiés, car ceux-ci vont nuire à la performance du système. Remettre en place le couvercle du réservoir de saumure.
- B. S'assurer que la valve de dérivation est réglée à la position ouvert (vert).
- C. Ouvrir très lentement la valve d'entrée et laisser le système se remplir lentement d'eau et se pressuriser. De l'eau s'écoulera temporairement dans la conduite d'évacuation.
- D. Ouvrir un robinet d'eau douce pour purger l'air et la couleur des conduites. Fermer le robinet après avoir suffisamment purgé les conduites.
- E. Lorsque le système est complètement pressurisé, vérifier tous les raccords de plomberie pour y détecter des fuites.

XIII. Régénération manuelle

Régénération manuelle

Si le bac à sel manque de sel, vous pouvez effectuer une régénération manuelle de l'appareil après avoir ajouté du sel ou attendre le déclenchement de la régénération automatique.

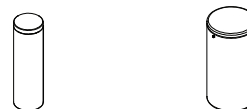
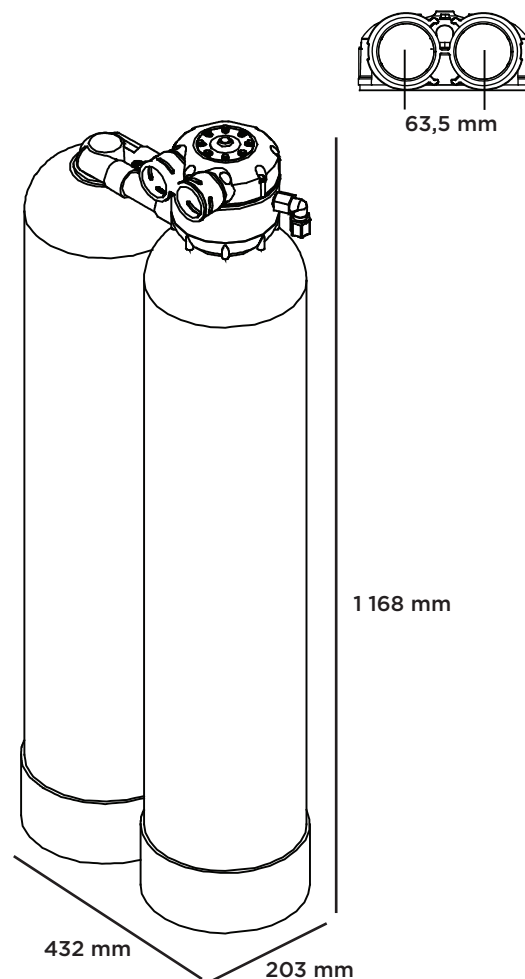
Utiliser un tournevis cruciforme n° 2 pour appuyer fermement sur la vis de la valve de l'adoucisseur et tourner lentement dans le sens horaire jusqu'à ce que l'actionneur déplace le point de l'indicateur à la position « Saumure » (Brine). Au moins cinq clics doivent se faire entendre pendant que la vis est tournée, avant que le point de l'indicateur atteigne la position « Saumure » (Brine). À ce stade, vous devriez entendre l'eau commencer à couler dans le système. Si le bruit de l'eau qui coule dans le système n'est pas entendu, le disque n'a pas été suffisamment tourné. Recommencer cette procédure pour la régénération manuelle lorsque l'écoulement s'est arrêté pour être certain que les deux réservoirs de résine ont bien été régénérés.

REMARQUE : Si le chauffe-eau s'est rempli d'eau dure, cela peut prendre plusieurs jours avant qu'il se vide et que l'eau redevienne douce



Feuille de données CP 208s OD

Composants du système	
Taille du réservoir de matière filtrante (qté)	(2) 203 x 1016 mm
Construction du réservoir de la matière filtrante	Polyéthylène enveloppé
Volume de lit vide	29,45 L
Matière filtrante	19,8 L résine à ions positifs sans solvant
Profondeur de lit / franc bord	635 / 381 mm
Tube ascendant	25,4 mm ABS
Distributeur	
Supérieur	Fentes 0,36 mm, panier ABS
Inférieur	Fentes 0,36 mm, panier ABS
Sous forme	Aucune
Contrôle de la régénération	Compteur non électrique
Type de régénération	Contre-courant
Type de compteur	Turbine en polypropylène 2,8 - 151,4 Lpm (Tuyère à volet complet Kinetico)
Qualité de l'eau à l'entrée	
Plage de pression :	1,7 - 8,6 bar de pression dynamique.
Plage de température	2 à 49° C
Plage du pH	5 - 10 SU
Chlore libre Cl ₂ (MAX)	0,0 mg/L
Dureté en tant que CaCO ₃ (MAX)	496 mg/L
Spécifications de fonctionnement	
Plage de débit - Surmultiplication (1 bar)	77,6 Lpm
Plage de débit - Surmultiplication (2 bar)	113,6 Lpm
Plage de débit - Alternance (1 bar)	43,5 Lpm
Plage de débit - Alternance (2 bar)	68,1 Lpm
Dimensions (largeur x profondeur x hauteur)	432 x 203 x 1 168 mm
Poids (fonctionnement/expédition)	90,7 / 63,5 kg
Connexions	
Connexions de l'entrée/sortie	Adaptateur sur mesure et attache en E (Raccords de brasage en laiton de 38 mm incus)
Raccord de vidange	Tube de 12,7 mm
Raccord de conduite de saumure	Tube de 9,5 mm
Alimentation	Aucune
Numéros des pièces du système	
CP 208s OD, avec réservoir de saumure 18x35	11701
CP 208s OD, sans réservoir de saumure	11700
CP 208s OD, vide, sans réservoir de saumure	11702
Spécifications de régénération	
Volume / temps de régénération	132,5 L / 45 min
Contrôle du débit de rétrolavage	7,6 Lpm
Contrôle du débit de remplissage de saumure	1,5 Lpm



Options de réservoir de saumure

Description du réservoir	12x40	18x35
Número de pièce du réservoir de saumure	1479B	7938A
Hauteur du réservoir	1 016 mm	889 mm
Encombrement du réservoir	305 mm DIA	457 mm DIA
Matériau	PEHD	PEHD
Capacité de sel	45 kg	113 kg

En mode Overdrive (2 réservoirs en service)

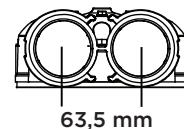
Réglage	Capacité	Rendement	Dosage	Disque Compteur	Sélection de disque (Dureté compensée*)							
					1	2	3	4	5	6	7	8
1,8 kg	950 grammes	524 g/kg	0,09 kg/L		51	103	154	205	240	291	342	292
2,0 kg	1 004 grammes	503 g/kg	0,10 kg/L		68	120	154	205	257	308	359	411
Débit de pointe pendant la régénération					77,6	77,6	77,6	56,0	42,7	33,7	27,3	22,3

Fonctionnement en alternance

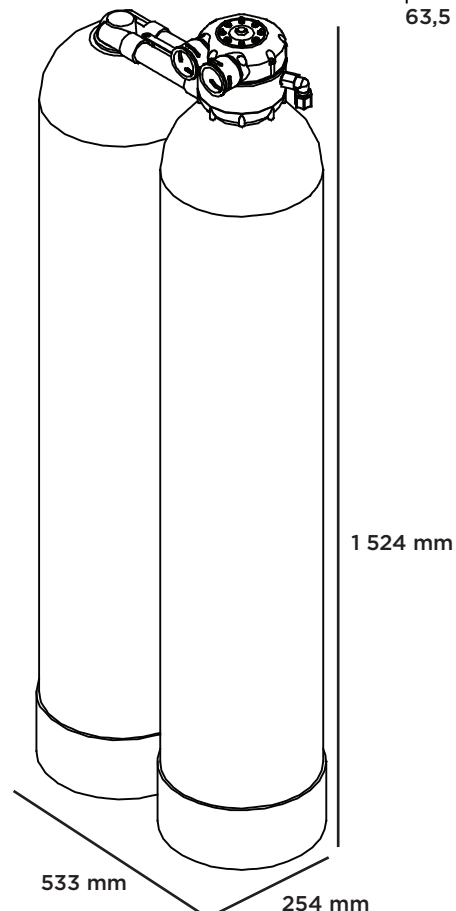
Réglage	Capacité	Rendement	Dosage	Disque Compteur	Sélection de disque (Dureté compensée*)							
					1	2	3	4	5	6	7	8
1,2 kg	808 grammes	660 g/kg	0,06 kg/L		51	103	154	205	240	257	342	393
1,8 kg	1 025 grammes	565 g/kg	0,09 kg/L		68	137	188	257	325	377	428	496
Débit pendant la régénération (à 1 bar) :					43,5	43,5	43,5	43,5	42,7	33,7	27,3	22,3
M ³ / Régénération :					12,0	6,0	4,0	3,0	2,4	2,0	1,7	1,5

*Dureté compensée en mg/L = Dureté + (3 X Fe en ppm)

Feuille de données CP 210s OD



Composants du système	
Taille du réservoir de matière filtrante (qté)	(2) 254 x 1372 mm
Construction du réservoir de la matière filtrante	polyéthylène enveloppé
Volume de lit vide	70,8 L
Matière filtrante	42,5L, résine à ions positifs sans solvant
Profondeur de lit / franc bord	991 / 381 mm
Tube ascendant	25,4 mm ABS
Distributeur	
Supérieur	Fentes 0,36 mm, panier ABS
Inférieur	Fentes 0,36 mm, panier ABS
Sous forme	Aucune
Contrôle de la régénération	Compteur non électrique
Type de régénération	Contre-courant
Type de compteur	Turbine en polypropylène 2,8 - 151 Lpm (Tuyère à volet complet Kinetico)
Qualité de l'eau à l'entrée	
Plage de pression :	1,7 - 8,6 bar de pression dynamique.
Plage de température	2 à 49°C
Plage du pH	5 - 10 SU
Chlore libre Cl ₂ (MAX)	0,0 mg/L
Dureté en tant que CaCO ₃ (MAX)	1 369 mg/L
Spécifications de fonctionnement	
Plage de débit - Surmultiplication (1 bar)	79,5 Lpm
Plage de débit - Surmultiplication (2 bar)	117,3 Lpm
Plage de débit - Alternance (1 bar)	45,4 Lpm
Plage de débit - Alternance (2 bar)	71,9 Lpm
Dimensions (largeur x profondeur x hauteur)	533 x 254 x 1 524 mm
Poids (fonctionnement/expédition)	158,8 / 79,4 kg
Connexions	
Connexions de l'entrée/sortie	Adaptateur sur mesure et attache en E (Raccords de brasage en laiton de 38 mm inclus)
Raccord de vidange	Tube de 12,7 mm
Raccord de conduite de saumure	Tube de 9,5 mm
Alimentation	Aucune
Numéros des pièces du système	
Réservoir de saumure CP 210s OD, 18x35	11704
CP 210s OD, sans réservoir de saumure	11703
CP 210s OD, vide, sans réservoir de saumure	11705
Spécifications de régénération	
Volume / temps de régénération	386,1 L / 90 min
Contrôle du débit de rétrolavage	11,4 Lpm
Contrôle du débit de remplissage de saumure	2,6 Lpm



Options de réservoir de saumure

Description du réservoir	12x40	18x35
Numéro de pièce du réservoir de saumure	1479B	7938A
Hauteur du réservoir	1 016 mm	889 mm
Encombrement du réservoir	305 mm DIA	457 mm DIA
Matériau	PEHD	PEHD
Capacité de sel	45 kg	113 kg

En mode Overdrive (2 réservoirs en service)

Réglage	Capacité	Rendement	Dosage	Disque Compteur	Sélection de disque (Dureté compensée*)							
					1	2	3	4	5	6	7	8
4,5 kg	2 415 grammes	532 g/kg	0,11 kg/L		120	223	291	394	496	565	650	736
6,8 kg	3 346 grammes	492 g/kg	0,16 kg/L		154	257	394	514	650	753	907	1027
Débit de pointe pendant la régénération					79,5	74,2	47,3	33,7	25,7	20,0	16,3	13,6

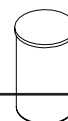
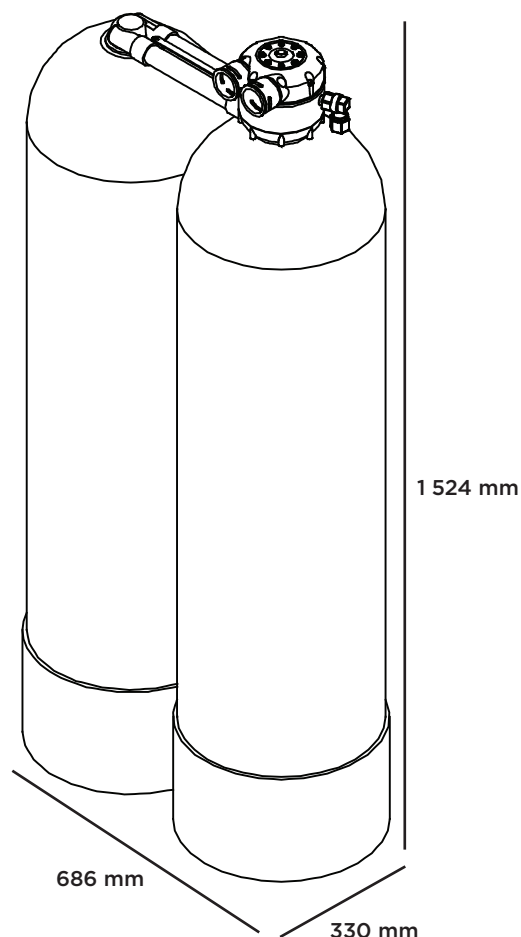
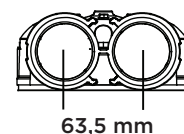
Fonctionnement en alternance

Réglage	Capacité	Rendement	Dosage	Disque Compteur	Sélection de disque (Dureté compensée*)							
					1	2	3	4	5	6	7	8
4,5 kg	2 662 grammes	587 g/kg	0,11 kg/L		137	274	377	496	599	685	770	856
6,8 kg	2 761 grammes	406 g/kg	0,16 kg/L		171	342	514	685	855	1 027	1 198	1 369
Débit pendant la régénération (à 1 bar) :					45,4	45,4	45,4	33,7	25,7	20,0	16,3	13,6
M³ / Régénération :					14,5	7,2	4,8	3,6	2,9	2,4	2,0	1,8

*Dureté compensée en mg/L = Dureté + (3 X Fe en ppm)

Feuille de données CP 213s OD

Composants du système	
Taille du réservoir de matière filtrante (qté)	(2) 330 x 1372 mm
Construction du réservoir de la matière filtrante	Polyéthylène enveloppé
Volume de lit vide	104,2 L
Matière filtrante	70,8 L, résine à ions positifs sans solvant
Profondeur de lit / franc bord	1 016 / 356 mm
Tube ascendant	25 mm ABS
Distributeur	
Supérieur	Fentes 0,36 mm, panier ABS
Inférieur	Fentes 0,36 mm, panier ABS
Sous forme	6,8 L (11 kg), 1/4 x 1/8 gravier
Contrôle de la régénération	Compteur non électrique
Type de régénération	Contre-courant
Type de compteur	Turbine en polypropylène 2,9 - 151 Lpm (Tuyère à volet complet Kinetic)
Qualité de l'eau à l'entrée	
Plage de pression :	1,7 - 8,6 bar de pression dynamique.
Plage de température	2 - 49° C
Plage du pH	5 - 10 SU
Chlore libre Cl ₂ (MAX)	0,0 mg/L
Dureté en tant que CaCO ₃ (MAX)	873 mg/L
Spécifications de fonctionnement	
Plage de débit - Surmultiplication (1 bar)	106 Lpm
Plage de débit - Surmultiplication (2 bar)	151,4 Lpm
Plage de débit - Alternance (1 bar)	75,7 Lpm
Plage de débit - Alternance (2 bar)	113,6 Lpm
Dimensions (largeur x profondeur x hauteur)	686 x 330 x 1 524 mm
Poids (fonctionnement/expédition)	324,3 / 188,2 kg
Connexions	
Connexions de l'entrée/sortie	Adaptateur sur mesure et attache en E (Raccords de brasage en laiton de 38 mm incus)
Raccord de vidange	Tube de 15,9 mm
Raccord de conduite de saumure	Tube de 9,5 mm
Alimentation	Aucune
Numéros des pièces du système	
Réservoir de saumure CP 213s OD, 24x40	11750
Réservoir de saumure, matière filtrante séparée CP 213s OD, 24x40	11180A
CP 213s OD, vide, sans réservoir de saumure	11184
CP 213s OD, sans réservoir de saumure, rempli de matière filtrante	11190
Spécifications de régénération	
Volume / temps de régénération	537,5 L / 90 min
Contrôle du débit de rétrolavage	18,9 Lpm
Contrôle du débit de remplissage de saumure	2,6 Lpm



Options de réservoir de saumure

Description du réservoir	24x40
Numéro de pièce du réservoir de saumure	10586A
Matériau	PEHD
Capacité de sel	227 kg

En mode Overdrive (2 réservoirs en service)

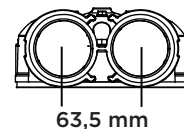
Réglage	Capacité	Rendement	Dosage	Disque Compteur	Sélection de disque (Dureté compensée*)							
					1	2	3	4	5	6	7	8
6,8 kg	3 888 grammes	571 g/kg	0,10 kg/L		86	171	240	291	359	428	514	599
11,3 kg	4 536 grammes	400 g/kg	0,16 kg/L		103	205	274	342	411	514	599	685
Débit de pointe pendant la régénération					106,0	106,0	106,0	78,4	59,4	46,9	37,8	31,4

Fonctionnement en alternance

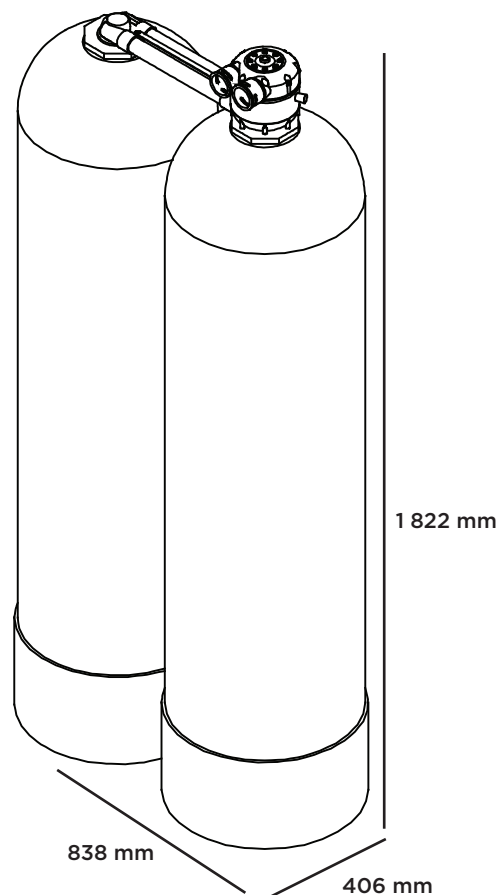
Réglage	Capacité	Rendement	Dosage	Disque Compteur	Sélection de disque (Dureté compensée*)							
					1	2	3	4	5	6	7	8
6,8 kg	3 888 grammes	571 g/kg	0,10 kg/L		103	205	308	411	514	599	685	770
11,3 kg	4 536 grammes	400 g/kg	0,16 kg/L		120	240	359	479	582	685	770	873
Débit pendant la régénération (à 1 bar) :					75,7	75,7	75,7	75,7	59,4	46,9	37,9	31,4
M ³ / Régénération :					33,8	16,9	11,3	8,4	6,8	5,6	4,8	4,2

*Dureté compensée en mg/L = Dureté + (3 X Fe en ppm)

Feuille de données CP 216s OD



Composants du système	
Taille du réservoir de matière filtrante (qté)	(2) 406 x 1651 mm
Construction du réservoir de la matière filtrante	Polyéthylène enveloppé
Volume de lit vide	185,5 L
Matière filtrante	113,3 L, résine à ions positifs sans solvant
Profondeur de lit / franc bord	1 194 / 457 mm
Tube ascendant	25 mm ABS
Distributeur	
Supérieur	Fentes 0,30 mm, panier Noryl
Inférieur	Fentes 0,36 mm, panier ABS
Sous forme	21,2 L (34 kg), 1/4 x 1/8 gravier
Contrôle de la régénération	Compteur non électrique
Type de régénération	Contre-courant
Type de compteur	Turbine en polypropylène 4,2 - 189,3 Lpm (Tuyère à volet complet Kinetico)
Qualité de l'eau à l'entrée	
Plage de pression :	1,7 - 8,6 bar de pression dynamique.
Plage de température	2 - 49° C
Plage du pH	5 - 10 SU
Chlore libre Cl ₂ (MAX)	0,0 mg/L
Dureté en tant que CaCO ₃ (MAX)	839 mg/L
Spécifications de fonctionnement	
Plage de débit - Surmultiplication (1 bar)	132,5 Lpm
Plage de débit - Surmultiplication (2 bar)	177,9 Lpm
Plage de débit - Alternance (1 bar)	87,1 Lpm
Plage de débit - Alternance (2 bar)	124,9 Lpm
Dimensions (largeur x profondeur x hauteur)	88 x 406 x 1 822 mm
Poids (fonctionnement/expédition)	537,5 / 301,7 kg
Connexions	
Connexions de l'entrée/sortie	Adaptateur sur mesure et attache en E (Raccords de brasage en laiton de 38 mm incus)
Raccord de vidange	Tube de 15,9 mm
Raccord de conduite de saumure	Tube de 9,5 mm
Alimentation	Aucune
Numéros des pièces du système	
CP 216s OD, 24x40 brine tank	11182
CP 216s OD, no brine tank, media separate	11168A
CP 216s OD, empty, no brine tank	11186
Spécifications de régénération	
Volume / temps de régénération	605,7 L / 90 min
Contrôle du débit de rétrolavage	26,5 Lpm
Contrôle du débit de remplissage de saumure	2,6 Lpm



Options de réservoir de saumure

Description du réservoir	24x40
Numéro de pièce du réservoir de saumure	10586A
Matériau	PEHD
Capacité de sel	227 kg

En mode Overdrive (2 réservoirs en service)

Réglage	Capacité	Rendement	Dosage	Disque Compteur	Sélection de disque (Dureté compensée*)							
					1	2	3	4	5	6	7	8
10,9 kg	5 702 grammes	529 g/kg	0,10 kg/L		86	154	223	274	325	377	428	514
18,1 kg	7 257 grammes	400 g/kg	0,16 kg/l		103	205	274	359	428	514	599	685
Débit de pointe pendant la régénération					132,5	132,5	132,5	132,5	101,1	82,1	64,7	53,4

Fonctionnement en alternance

Réglage	Capacité	Rendement	Dosage	Disque Compteur	Sélection de disque (Dureté compensée*)							
					1	2	3	4	5	6	7	8
10,9 kg	5 702 grammes	529 g/kg	0,10 kg/L		86	171	257	342	428	514	599	685
18,1 kg	7 257 grammes	400 g/kg	0,16 kg/l		120	223	342	445	548	650	736	839
Débit pendant la régénération (à 1 bar) :					87,1	87,1	87,1	87,1	87,1	82,1	64,7	53,4
M ³ / Régénération :					57,5	28,8	19,2	14,4	11,5	9,6	8,2	7,2

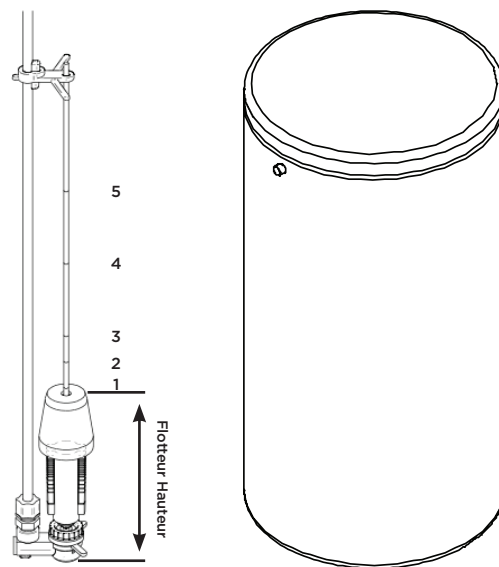
*Dureté compensée en mg/L = Dureté + (3 X Fe en ppm)

Réglages de la valve à saumure pour le CP 208 et le CP 210 avec réservoir de 18x35

CLÉ (Réglages du sel - Livres de sel)		
1,0 = 1,0	E = 3,0	M = 6,0
1,25 = 1,25	F = 3,3	N = 7,5
1,5 = 1,5	G = 3,6	O = 8,5
A = 1,8	H = 4,0	P = 10,0
B = 2,1	J = 4,4	Q = 12,5
C = 2,4	K = 5,0	R = 15,0
D = 2,7	L = 5,5	

Réglages standards

1	197 mm
2	219 mm
3	241 mm
4	289 mm
5	340 mm



Sel - avec grille

Configuration du sel	1,0	1,25	1,5	A	B	C	D	E	F	G	H	J	K	L	M	N	O	P	Q	R
Tube ajusteur	1,0	1,25	1,5	A	B	C	D	E	F	G	H	J	K	L	M	N	N	N	N	N
Flotteur	1	1	1	1	1	1	1	1	191 mm	1	1	1	1	1	1	1	2	3	4	5

Sel - sans grille

Configuration du sel	1,0	1,25	1,5	A	B	C	D	E	F	G	H	J	K	L	M	N	O	P	Q	R
Tube ajusteur	J	K	L	M	M	L	N	N	N	L	N	N	N	N	N	N	N	N	N	N
Flotteur	152 mm	152 mm	152 mm	152 mm	165 mm	165 mm	152 mm	159 mm	165 mm	184 mm	171 mm	178 mm	191 mm	1	210 mm	229 mm	254 mm	273 mm	311 mm	375 mm

KCl - avec grille*

Configuration du sel	1,0	1,25	1,5	A	B	C	D	E	F	G	H	J	K	L	M	N	O	P	Q	R
Tube ajusteur	1,25	A	B	D	R	F	G	H	J	K	L	M	M	N	N	N	L	J	N	N
Flotteur	1	1	1	1	1	1	1	1	1	1	1	1	2	1	2	3	4	4	318 mm	368 mm

* Kinetico recommande vivement d'enlever la plaque grillagée lors de l'utilisation du chlorure de potassium.

KCl - sans grille

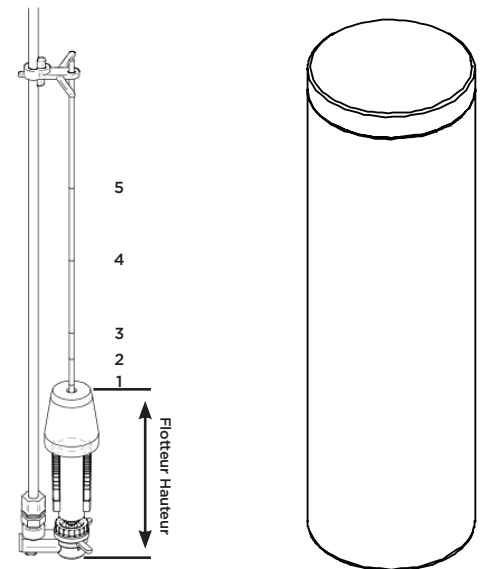
Configuration du sel	1,0	1,25	1,5	A	B	C	D	E	F	G	H	J	K	L	M	N	O	P	Q	R
Tube ajusteur	K	M	M	N	N	N	N	N	N	N	N	N	M	N	N	N	N	N	N	N
Flotteur	152 mm	152 mm	159 mm	152 mm	159 mm	165 mm	171 mm	178 mm	184 mm	191 mm	1	210 mm	222 mm	235 mm	2	267 mm	279 mm	305 mm	330 mm	368 mm

Réglages de la valve à saumure pour le CP 208 et le CP 210 avec réservoir de 12x40

CLÉ (Réglages du sel - Livres de sel)		
1,0 = 1,0	E = 3,0	M = 6,0
1,25 = 1,25	F = 3,3	N = 7,5
1,5 = 1,5	G = 3,6	O = 8,5
A = 1,8	H = 4,0	P = 10,0
B = 2,1	J = 4,4	Q = 12,5
C = 2,4	K = 5,0	R = 15,0
D = 2,7	L = 5,5	

Réglages standards

1	197 mm
2	219 mm
3	241 mm
4	289 mm
5	340 mm



Sel - avec grille

Configuration du sel	1,0	1,25	1,5	A	B	C	D	E	F	G	H	J	K	L	M	N	O	P	Q	R
Tube ajusteur	1,0	1,0	1,25	A	E	F	H	J	L	M	N	N	K	M	N	N	N	N		
Flotteur	2	222 mm	2	2	2	2	2	210 mm	2	2	2	235 mm	4	4	4	4	356 mm	406 mm		

Sel - sans grille

Configuration du sel	1,0	1,25	1,5	A	B	C	D	E	F	G	H	J	K	L	M	N	O	P	Q	R
Tube ajusteur	N	N	N	N	N	N	N	N	N	N	N	N	N	N	N					
Flotteur	152 mm	159 mm	171 mm	184 mm	191 mm	203 mm	210 mm	222 mm	235 mm	248 mm	260 mm	273 mm	292 mm	311 mm	330 mm					

KCl - avec grille*

Configuration du sel	1,0	1,25	1,5	A	B	C	D	E	F	G	H	J	K	L	M	N	O	P	Q	R
Tube ajusteur	1,25	1,5	C	G	J	L	K	M	N	K	M	N	M	N						
Flotteur	2	2	2	2	2	2	3	3	9	4	4	4	5	5						

* Kinetico recommande vivement d'enlever la plaque grillagée lors de l'utilisation du chlorure de potassium.

KCl - sans grille

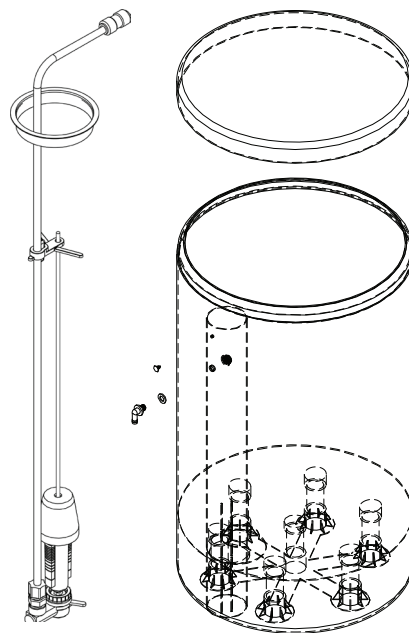
Configuration du sel	1,0	1,25	1,5	A	B	C	D	E	F	G	H	J	K	L	M	N	O	P	Q	R
Tube ajusteur	N	N	N	N	N	N	N	N	N	N	N	N								
Flotteur	159 mm	171 mm	184 mm	203 mm	216 mm	222 mm	248 mm	260 mm	273 mm	286 mm	305 mm	330 mm								

Utiliser du ruban en Téflon pour tous les raccords de tuyau

Réglages de la valve à saumure pour le CP 213 et le CP 216


Réglage de la valve du réservoir de saumure de 24x40

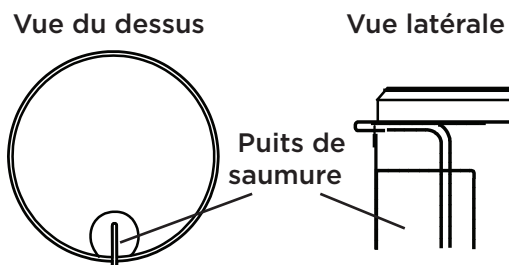
Configuration du sel	7 kg	11 kg	14 kg	18 kg
Tube ajusteur	1,25	K	N	N
Flotteur	267 mm	305 mm	279 mm	406 mm



Installation de la valve à saumure

Après avoir effectué les réglages du tube ajusteur et du flotteur, l'ensemble de la valve à saumure doit être installé dans le réservoir de saumure. Repérer la valve à saumure de manière que les 7 mm de tube coudé soit le long de l'arrière du puits de saumure et éloigné de la paroi du réservoir de saumure. Le tube coudé de 7 mm est alors enclenché dans le cran et s'étend du réservoir de saumure d'environ 25,4 mm.

 Ne pas laisser tomber la valve de saumure dans le réservoir. La faire tomber pourrait entraîner la baisse du flotteur et générer une position flottante incorrecte.



Installation de la valve à saumure



1. À cette étape, ajouter un sel adoucisseur de qualité appropriée.
NE PAS UTILISER DE SEL DE TABLE.
Lorsque l'eau est ferrugineuse, il est recommandé d'utiliser un sel qui contient des additifs de nettoyage de résine.
2. Ouvrir la valve d'entrée et laisser les réservoirs se remplir lentement d'eau. L'eau s'écoulera à la vidange jusqu'à ce que l'unité soit pleine et pressurisée.
3. Lorsque l'unité est mise en service et sous pression, laisser le réservoir de saumure se remplir d'eau jusqu'à la fermeture de la valve à saumure.



4. Lorsque l'unité est complètement pressurisée, purger l'air des conduites en ouvrant la sortie d'eau douce. Lorsque l'installation est terminée, les conduites de plomberie doivent être désinfectées au chlore. De l'eau de Javel ordinaire peut être utilisée. La quantité d'eau de Javel varie en fonction de la taille, de la longueur et des installations de plomberie.
5. **TRÈS IMPORTANT!** Lorsqu'un débordement du réservoir de saumure risque de causer des dommages, une conduite d'évacuation de 13 mm de diamètre intérieur doit être installée sur le raccord ébarbé du réservoir et raccordée à une vidange. S'assurer que le drain n'est pas placé plus haut que le raccord ébarbé. **RESPECTER LES CODES LOCAUX ET DE L'ÉTAT OU DE LA PROVINCE.**
6. Avant de mettre l'installation à niveau, vérifier qu'il n'y a pas de fuite dans la plomberie.

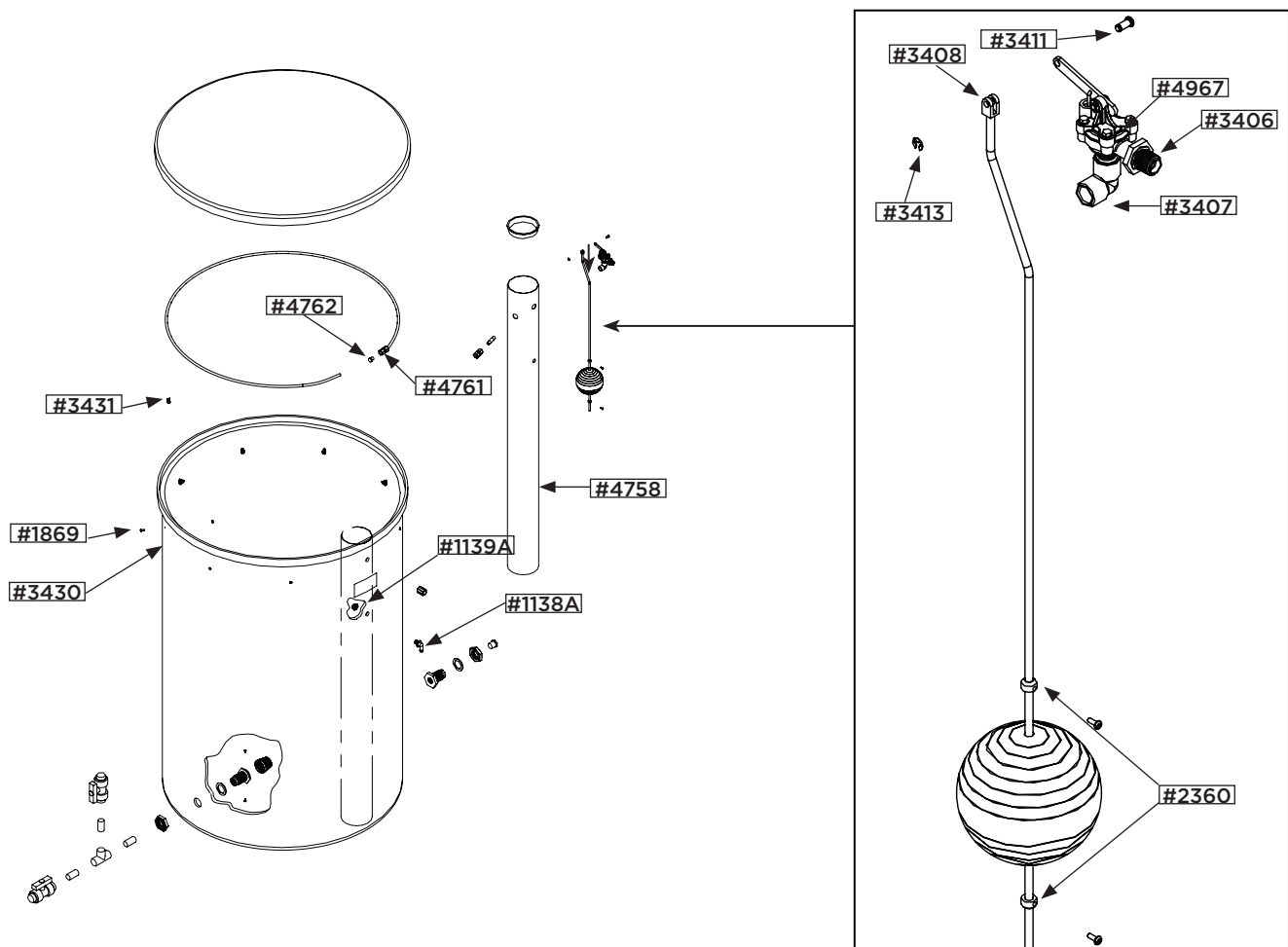
Installation du système de saumure central



Utiliser du ruban en Téflon pour tous les raccords de tuyau

Pour les réservoir de 39x60 (réf. 4726A) et 50x60 (réf. 4728A) de diamètre

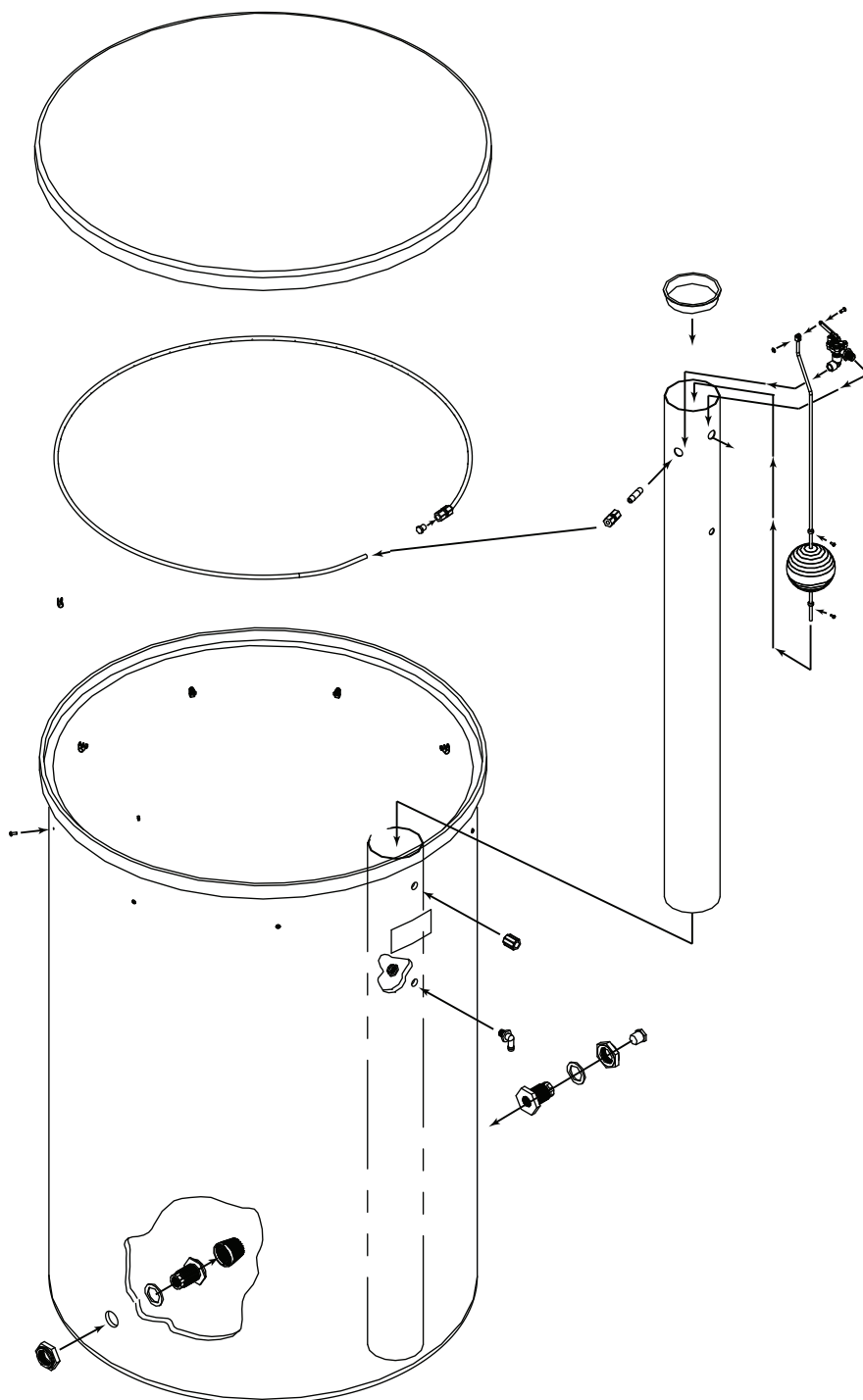
1. Assembler les raccords sur le réservoir de saumure, comme illustré, avec la rondelle en caoutchouc à l'intérieur. S'assurer que la rondelle ne « déborde » pas sur l'extérieur pendant le serrage.
2. Installer le puits de saumure (réf. 4758) sur le réservoir en utilisant un raccord de débordement (réf. 1138A) et un écrou (réf. 1139A).
3. Assembler le coude à 90° (réf. 3407) et le mamelon (réf. 3406) pour remplir la valve (réf. 4967).
4. Installer le collier (réf. 2360) sur la tige courbée du flotteur, placer le collier à 356 mm de l'extrémité droite et fixer solidement. Faire glisser la boule sur la tige. Placer le collier inférieur (réf. 2360) sur la tige et le fixer solidement à environ 51 mm de l'extrémité de la tige.
5. Visser le raccord de l'adaptateur « flotteur vers valve » (réf. 3408) sur la tige du flotteur - NE PAS TROP SERRER.
6. Utiliser la tige (réf. 3411) et l'anneau en E (réf. 3413), pour fixer l'ensemble tige et flotteur au bras de l'activateur (réf. 4967).
7. Abaisser l'ensemble tige de flotteur et valve dans le puits de saumure. Installer la valve dans le réservoir à travers le trou du puits de saumure.
8. Assembler le tube sur le raccord de mamelon (réf. 4761) et au mamelon (réf. 3406) à travers le trou dans le puits de saumure.
9. Raccorder le tube de pulvérisation (réf. 3431) au raccord (réf. 4761) et menant à la valve et ajouter un bouchon d'extrémité au tube de pulvérisation. Le raccord de bouchon comprend (réf. 4761) le boyau vers le raccord fileté et un bouchon de tuyau de 6 mm (réf. 4762).
10. Fixer les 8 supports (réf. 3431), vis (réf. 1869) et écrous (réf. 3430) pour installer le tube de pulvérisation en utilisant les trous sur le réservoir. Les trous de pulvérisation doivent être orientés vers le bas, en direction du sel.



Installation du système de saumure central

Pour un réservoir de 24x48

Les procédures sont identiques à celles indiquées dans la liste sauf qu'un puits plus court de 1,181 mm est utilisé. En plus, seulement 6 supports sont requis pour installer le tube pulvérisateur (réf. 4756).



DÉPANNAGE

Dix étapes pour déterminer le problème...

-
- | | |
|---|--|
| 1. Rassembler les renseignements | Tous les renseignements obtenus peuvent réduire le temps de dépannage. |
|---|--|
-
- | | |
|------------------------|---|
| 2. Tester l'eau | <p>Tester l'eau froide, brute, chaude et froide.</p> <ul style="list-style-type: none">• L'eau chaude, stockée dans le chauffe-eau, peut vous indiquer l'état de l'eau du jour précédent.• L'eau froide provenant directement de l'adoucisseur indique l'état actuel de l'eau.• L'eau brute, avant traitement, indique si l'eau à traiter a changé et si le bon disque compteur a été installé à l'origine. <p>Tester l'eau au niveau du raccord de saumure pendant que l'eau coule pour déterminer si l'adoucisseur produit de l'eau douce.</p> <p>Y-a-t-il vraiment un problème avec l'adoucisseur? Ou le problème est-il ailleurs, chez le client?</p> |
|------------------------|---|
-
- | | |
|-----------------------------------|---|
| 3. Observer l'installation | <p>Rechercher des problèmes liés à l'installation du client.</p> <ul style="list-style-type: none">• La dérivation est-elle ouverte ou présente-t-elle des fuites?• L'adoucisseur manque-t-il de sel?• Un pont de sel est-il présent dans le réservoir?• Le préfiltre est-il bouché? <p>Rechercher des erreurs d'installation évidentes</p> <ul style="list-style-type: none">• Le réglage du disque compteur et du sel est-il correct en fonction de l'eau brute?• Les conduites d'entrée et de sortie sont-elles inversées?• Installation de la vidange - Les T présentent-ils des restrictions ou des déformations causées par d'autres appareils utilisant de l'eau? <p>L'unité envoie-t-elle l'eau vers la vidange?</p> <p>Consulter la section sur les problèmes et les solutions.</p> |
|-----------------------------------|---|
-
- | | |
|--|--|
| 4. Ouvrir complètement le robinet d'eau douce | <p>Surveiller le disque compteur.</p> <ul style="list-style-type: none">• Tourne-t-il?• Surveiller le cliquet sans talon.• Alors que le disque compteur tourne dans le sens horaire, le cliquet sans talon doit s'enclencher dans la dent suivante pour empêcher le disque compteur de tourner dans le sens inverse. Le fait-il? <p>Mesurer le taux de comptage.</p> <ul style="list-style-type: none">• Attendre que le cliquet sans talon chute dans la dent. Placer un seau sous le robinet pour récupérer l'eau. Laisser le disque compteur tourner pour une ou deux dents supplémentaires et mesurer l'eau qui a rempli le seau. Le taux de comptage approximatif pour tous les modèles est indiqué ci-dessous. |
|--|--|

- 5. Placer l'unité en position de régénération manuelle dans la saumure**
- Vérifier si l'unité aspire de la saumure en débranchant la conduite de saumure du coude au niveau 3.
- La grille du coude d'aspiration de saumure est-elle bouchée?
 - Le son de l'aspiration est-il doux et continu sans la présence d'eau?
 - Rétro-soufflage?
 - Mouiller un doigt et le placer sur l'extrémité ouverte du coude. Une aspiration douce et continue est-elle ressentie?
-
- 6. Enlever la valve à saumure**
- Vérifier le réglage de la valve à saumure.
- Est-elle réglée selon la feuille d'instructions?
-
- 7. Rechercher des fuites dans la maison**
- S'assurer que le client n'utilise aucune eau.
- Le disque compteur tourne-t-il encore?
- Certaines fuites peuvent être lentes au point que le disque compteur ne tourne pas.
- Les robinets présentent-ils des fuites?
 - Des toilettes coulent-elles continuellement?
- Placer l'unité en position de service (6 heures ou 12 heures).
- Fermer le côté eau douce de la dérivation et le laisser fermé pendant une minute. Sur une dérivation Kinetico, la placer en position fermée.
- Ouvrir la dérivation.
- Une montée d'eau s'est-elle faite entendre dans la valve lorsqu'elle a été ouverte? Si c'est le cas, il y a une fuite quelque part dans la maison.
-
- 8. Mesurer la pression d'eau**
- Une faible pression d'eau peut produire de l'eau dure et/ou salée.
- Mesurer la pression d'eau:
- Adapter une jauge de pression à l'orifice du raccord de saumure au niveau 3.
 - Ouvrir complètement le robinet d'eau froide.
 - Placer l'un ou l'autre réservoir à l'étape rétrolavage du cycle.
 - La pression a-t-elle chuté en dessous de 1 bar au niveau du raccord de saumure pour le CP 208 et le CP 210 (2 bar pour le CP 213 et le CP 216)?
- Pour fonctionner correctement, la valve Kinetico exige minimum de 1 bar pour le CP 208 et le CP 210. Le CP 213 et le 216 exigent 1,7 bar pour fonctionner correctement.
-
- 9. Mesurer le taux de rétrolavage**
- Un débit de rétrolavage trop petit peut produire de l'eau salée.
- Mesurer la quantité d'eau sortant de la conduite de vidange pendant la partie rétrolavage du cycle.
- Ce taux de rétrolavage est-il inférieur au taux de la fiche du produit?
-
- 10. Vérifier l'arrêt de l'unité**
- La vidange doit être sèche aux positions de service (12 heures et 6 heures).
- Un égouttement occasionnel pourrait se produire. Mesurer le taux d'égouttement. La quantité d'eau recueillie devrait être inférieure à 5 mL en 22 secondes.
- L'écoulement ou l'égouttement de la vidange est-il excessif dans les positions de service?
-

Résolution du problème

Après avoir testé les 10 étapes ci-dessus, vous êtes maintenant prêt à résoudre tous les problèmes détectés. La section suivante indique spécifiquement la manière de résoudre les plaintes et les problèmes les plus courants des systèmes de traitement d'eau.

Eau dure

Problème	Cause	Solution
1. Le disque du compteur d'eau ne tourne pas	<input type="checkbox"/> Cliquet d'entraînement de compteur non conforme. <input type="checkbox"/> Ressort d'entraînement du compteur mal installé. <input type="checkbox"/> Cliquet sans talon non installé. <input type="checkbox"/> Dents endommagées sur le disque compteur. <input type="checkbox"/> Engrenage endommagé dans la pile des engrenages.	<input checked="" type="checkbox"/> Remplacer le cliquet d'entraînement du compteur. <input checked="" type="checkbox"/> Réinstaller le ressort d'entraînement du compteur. <input checked="" type="checkbox"/> Installer le cliquet sans talon. <input checked="" type="checkbox"/> Remplacer le disque compteur. <input checked="" type="checkbox"/> Rajuster l'engrenage de l'ensemble de niveau 1 et vérifier les taux de débit autorisés.
2. L'unité ne passe pas en régénération automatique	<input type="checkbox"/> Le disque le compteur d'eau ne tourne pas. <input type="checkbox"/> Le disque de contrôle n'avance pas automatiquement dans la position hors service. <input type="checkbox"/> Les dents du disque de contrôle sont endommagées.	<input checked="" type="checkbox"/> Voir le numéro 1 ci-dessus. <input checked="" type="checkbox"/> Remplacer le cliquet de démarrage de régénération. <input checked="" type="checkbox"/> Remplacer le disque de contrôle.
3. Pas de vide en position saumure	<input type="checkbox"/> Tige de vérification manquante ou ne fonctionnant pas correctement. <input type="checkbox"/> Venturi bouché. <input type="checkbox"/> Contrôle du débit de rétrolavage bouché. <input type="checkbox"/> Grille du coude à saumure bouchée.	<input checked="" type="checkbox"/> Remplacer ou ajouter des tiges de vérification. <input checked="" type="checkbox"/> Nettoyer la gorge du venturi de niveau 3 et la tuyère du venturi moulé (sans utiliser un trombone!) <input checked="" type="checkbox"/> Nettoyer le contrôle de débit de rétrolavage. <input checked="" type="checkbox"/> Nettoyer la grille du coude à saumure.
4. Manque de sel	<input type="checkbox"/> Le réservoir de saumure n'est pas de niveau. Le système de grille autorise un niveau d'eau maximum de 25,4 mm au-dessus de la grille. Si le réservoir de saumure n'est pas de niveau, cette limite pourrait être dépassée.	<input checked="" type="checkbox"/> Mettre le réservoir de saumure à niveau.
5. Pont de sel dans le réservoir de saumure	<input type="checkbox"/> Le sel s'est solidifié dans le réservoir.	<input checked="" type="checkbox"/> Déplacer le sel avec précaution pour briser la masse de sel solidifié.
6. La dérivation est ouverte	<input type="checkbox"/> Une dérivation ouverte fait circuler l'eau dans le système sans qu'elle soit traitée.	<input checked="" type="checkbox"/> Fermer la dérivation.
7. La dérivation présente une fuite	<input type="checkbox"/> Cette fuite peut être détectée en testant l'eau à un robinet d'eau douce. Alors que l'eau s'écoule, débrancher la conduite de saumure au niveau de la valve et tester l'eau. De l'eau douce au niveau du raccord de saumure et dure lorsqu'elle coule du robinet, indique une fuite dans la dérivation.	<input checked="" type="checkbox"/> Réparer ou remplacer la dérivation.
8. Le réservoir de saumure ne se remplit pas ou déborde	<input type="checkbox"/> La valve à saumure n'est pas réglée correctement. <input type="checkbox"/> La valve à saumure n'est pas conforme. <input type="checkbox"/> Le réservoir de saumure est sale. <input type="checkbox"/> La buse de venturi et bouchée. <input type="checkbox"/> La grille du coude à saumure est bouchée.	<input checked="" type="checkbox"/> Régler la valve à saumure selon les instructions de la feuille d'installation de la valve à saumure sur l'emballage du fabricant ou dans le manuel technique. <input checked="" type="checkbox"/> Remplacer la valve à saumure. <input checked="" type="checkbox"/> Nettoyer la valve à saumure. <input checked="" type="checkbox"/> Nettoyer la gorge du venturi de niveau 3 et la tuyère moulée du venturi (sans utiliser un trombone!) <input checked="" type="checkbox"/> Enlever et nettoyer la grille du coude à saumure.

Régénération fréquente

Problème	Cause	Solution
1. Le client ne comprend pas les unités KineticoPRO	<input type="checkbox"/> Si le client utilisait précédemment une unité électrique équipée d'un système de régénération activé par minuterie, il pourrait ne pas réaliser que les unités KineticoPRO peuvent régénérer à toute heure du jour ou de la nuit.	<input type="checkbox"/> Expliquer au client le fonctionnement de l'adoucisseur KineticoPRO. Insister sur le fait que la régénération est contrôlée par la mesure de l'eau utilisée, plutôt que sur une base de temps arbitraire.
2. Taux d'utilisation élevé de l'eau	<input type="checkbox"/> Le client pourrait utiliser plus d'eau qu'il ne le croit.	<input type="checkbox"/> Consulter la facture d'eau (si le client est raccordé à l'alimentation en eau de la ville) et déterminer la quantité d'eau qui devrait être utilisée. La consommation d'eau moyenne est de 284L d'eau par jour et par personne.
3. L'unité ne se régénère pas très fréquemment	<input type="checkbox"/> Disque compteur incorrectement étiqueté. Vérifier que le nombre de fentes sur le disque correspond au nombre moulé sur le disque.	<input type="checkbox"/> Installer le bon disque compteur.

Consommation excessive de sel

Problème	Cause	Solution
1. Régénération trop fréquente	<input type="checkbox"/> Consulter la section intitulée « Régénération fréquente ».	<input type="checkbox"/> Consulter la section intitulée « Régénération fréquente ».
2. Le niveau d'eau du réservoir de saumure est trop élevé	<input type="checkbox"/> La valve à saumure est mal réglée ou n'est pas conforme. <input type="checkbox"/> La valve à saumure ou le réservoir de saumure est sale. <input type="checkbox"/> La valve à saumure présente une fuite.	<input type="checkbox"/> Vérifier le réglage de la valve à saumure. Remplacer la valve à saumure non conforme. <input type="checkbox"/> Nettoyer la valve à saumure et le réservoir de saumure. <input type="checkbox"/> Serrer les raccords sur la valve à saumure.

Bruit de l'équipement

Problème	Cause	Solution
1. L'unité émet un bruit de grincement	<input type="checkbox"/> Le disque de contrôle n'est pas à plat sur la céramique, ce qui cause un flottement de la valve de vidange.	<input type="checkbox"/> Remplacer le disque de contrôle, le ressort du piston d'équilibrage et le joint torique du piston d'équilibrage. Il pourrait également être nécessaire de changer les valves de vidange et leurs joints.
2. L'unité émet un son de gargouillement, de sifflement ou de bulles	<input type="checkbox"/> Dans les nouvelles installations, de l'air pourrait être piégé initialement dans l'unité. <input type="checkbox"/> L'air passe par la plomberie. <input type="checkbox"/> La conduite de saumure et/ou la valve à saumure ne retiennent pas l'air.	<input type="checkbox"/> Exécuter un cycle complet pour permettre l'évacuation de l'air. <input type="checkbox"/> Identifier les fuites d'air dans la plomberie pour les boucher. <input type="checkbox"/> Identifier et remplacer la ou les pièces défectueuses.

Eau traitée salée

Problème	Cause	Solution
1. Conduite de vidange restreinte	<input type="checkbox"/> La conduite de vidange est pliée ou bouchée.	<input type="checkbox"/> Enlever toute obstruction. S'assurer que la conduite de vidange s'écoule sans problème et sans obstruction.
2. Faible pression d'eau	<input type="checkbox"/> La pression d'eau à la sortie de l'unité ne doit jamais descendre en dessous de 1 bar. Pendant l'étape de rétrolavage du cycle de régénération, la pression minimale doit être de 1 bar, sinon la saumure pourrait ne pas être rincée complètement. <input type="checkbox"/> La cartouche du préfiltre est bouchée.	<input type="checkbox"/> Tester la pression de sortie lorsque l'unité est en mode rétrolavage et qu'un robinet est à haut débit. Mesurer la pression en plaçant une jauge sur le raccord de saumure. Augmenter la pression si celle-ci est inférieure à 1 bar. <input type="checkbox"/> Remplacer la cartouche de préfiltration.
3. Le contrôle du débit de rétrolavage est bouché	<input type="checkbox"/> Un débit de rétrolavage insuffisant vers la vidange empêche l'unité de laver tout le sel des réservoirs de matière filtrante.	<input type="checkbox"/> Nettoyer le contrôle de débit de rétrolavage.
4. La conduite de vidange et très longue ou placée plus haut que 8 pi au-dessus du sol	<input type="checkbox"/> Une telle distance peut créer une contre-pression dans l'appareil et restreindre le débit de la vidange. Cette situation entraîne les mêmes résultats qu'au numéro 3 ci-dessus.	<input type="checkbox"/> Repérer un emplacement de vidange plus rapproché ou utiliser une conduite de vidange de plus grand diamètre.
5. Les distributeurs supérieurs sont bouchés.	<input type="checkbox"/> Des corps étrangers qui s'infiltrent dans les réservoirs de matière filtrante, pourraient être collectés dans la zone des distributeurs supérieurs pendant le rétrolavage et les boucher.	<input type="checkbox"/> Nettoyer les distributeurs supérieurs. <input type="checkbox"/> Installer un préfiltre.
6. Le niveau d'eau du réservoir de saumure est trop élevé	<input type="checkbox"/> La valve à saumure est mal réglée ou n'est pas conforme.	<input type="checkbox"/> Vérifier le réglage de la valve à saumure. Remplacer la valve à saumure non conforme.

Fuites

Problème	Cause	Solution
1. Fuite d'eau à n'importe quel niveau de l'assemblage	<input type="checkbox"/> Les vis de la valve principale ne sont pas serrées. <input type="checkbox"/> Un des joints entre les niveaux d'assemblage (niveau 1 à niveau 4) est pincé ou manquant. <input type="checkbox"/> Un des trous de vis est dénudé ou fissuré. <input type="checkbox"/> Une fissure est présente dans la zone du joint, à proximité du trou de vis.	<input type="checkbox"/> Dépressuriser l'unité et resserrer les vis de la valve principale. <input type="checkbox"/> Remplacer le joint non conforme. <input type="checkbox"/> Remplacer la base. <input type="checkbox"/> Remplacer le niveau.
2. La pression d'alimentation de l'eau est trop élevée (125 psi maximum)	<input type="checkbox"/> Aucun régulateur de pression n'est installé. <input type="checkbox"/> Le régulateur de pression est défectueux.	<input type="checkbox"/> Installer un régulateur de pression. <input type="checkbox"/> Remplacer le régulateur de pression.
3. Une fuite d'eau est détectée à la base principale ou à la base distante	<input type="checkbox"/> La base n'est pas serrée correctement. <input type="checkbox"/> Le joint torique sur la base est pincé ou manquant.	<input type="checkbox"/> Resserrer la base. <input type="checkbox"/> Remplacer le joint torique de la base.

Diffusion de fer

Problème	Cause	Solution
1. Plomberie du client	<ul style="list-style-type: none"> ❑ Une accumulation antérieure de fer à l'intérieur de la plomberie existante après l'adoucisseur d'eau. 	<ul style="list-style-type: none"> ■ Vérifier si le problème provient de la plomberie du client en testant la qualité de l'eau au niveau du raccord à saumure, pendant l'écoulement de l'eau.
2. Le disque compteur d'eau n'est pas réglé correctement pour l'état actuel de l'eau brute	<ul style="list-style-type: none"> ❑ La composition de l'eau brute peut changer avec le temps. 	<ul style="list-style-type: none"> ■ Vérifier la dureté et le contenu en fer de l'eau brute. Installer le disque qui correspond aux conditions actuelles de l'eau brute.
3. Le disque compteur d'eau n'est pas réglé correctement pour l'état actuel de l'eau brute	<ul style="list-style-type: none"> ❑ La composition de l'eau brute peut changer avec le temps. 	<ul style="list-style-type: none"> ■ Vérifier la dureté et le contenu en fer de l'eau brute. Régler la valve à saumure pour qu'elle corresponde aux conditions actuelles de l'eau brute.
4. Le fer pourrait être du fer ferrique	<ul style="list-style-type: none"> ❑ Le fer ferrique ne peut pas être éliminé par un échange d'ions. ❑ Le fer pourrait être plus fin que le degré de filtration de la cartouche de préfiltre installée. 	<ul style="list-style-type: none"> ■ Vérifier en utilisant un adoucisseur de démonstration pour déterminer si le fer peut être éliminé par un échange d'ions. Ajouter de l'équipement supplémentaire si nécessaire. ■ Installer une cartouche avec un degré de filtration plus fin.
5. Les distributeurs supérieurs sont bouchés. (Cela ne s'applique pas aux adoucisseurs à rendement élevé)	<ul style="list-style-type: none"> ❑ Un réservoir de pression galvanisé va créer du fer oxydé. 	<ul style="list-style-type: none"> ■ Remplacer le réservoir de pression galvanisé par le réservoir de pression de style souple.
6. La plomberie du client pourrait inclure un réservoir de pression galvanisé	<ul style="list-style-type: none"> ❑ La valve à saumure est mal réglée ou n'est pas conforme. 	<ul style="list-style-type: none"> ■ Vérifier le réglage de la valve à saumure. Remplacer la valve à saumure non conforme.

L'unité reste en cycle

Problème	Cause	Solution
1. L'unité bloque dans le cycle de régénération ou de rétrolavage	<ul style="list-style-type: none"> ❑ Le chemin de débit de régénération est bloqué au niveau de la tuyère de régénération ou du contrôle de débit. ❑ Le cliquet et/ou le ressort d'entraînement de régénération est faible ou brisé. ❑ Une dent du disque de contrôle est endommagée. ❑ Le pignon excentrique est endommagé. ❑ Sur les filtres de rétrolavage, une faible pression ou un mauvais rétrolavage pourrait produire un lit bouché. 	<ul style="list-style-type: none"> ■ Nettoyer le chemin du débit de régénération. ■ Remplacer le cliquet d'entraînement de régénération. ■ Remplacer le disque de contrôle. ■ Remplacer le pignon excentrique (engagement à encliquetage). ■ Augmenter la pression d'entrée ou la fréquence du rétrolavage. L'unité pourrait avoir besoin d'un remplacement du lit de résine.
2. L'unité bloque dans le cycle de service	<ul style="list-style-type: none"> ❑ Le cliquet de démarrage de régénération est brisé ou manquant. ❑ Le disque de contrôle a une dent usée ou manquante. 	<ul style="list-style-type: none"> ■ Remplacer le cliquet de démarrage de régénération ou en installer un. ■ Remplacer le disque de contrôle.

Perte de pression

Problème	Cause	Solution
1. La pression est réduite à l'entrée de l'unité	<input type="checkbox"/> Le préfiltre est bouché.	■ Remplacer le préfiltre bouché.
2. Les distributeurs supérieurs et/ou inférieurs sont bouchés	<input type="checkbox"/> Des corps étrangers provenant des conduites d'alimentation s'accumulent dans les distributeurs.	■ Nettoyer les distributeurs. Ajouter un préfiltre pour éliminer les corps étrangers avant qu'ils ne pénètrent dans l'unité.

Eau allant à la vidange

Remarque : Avec des adoucisseurs et des filtres/adoucisseurs, commencer par tester l'eau de vidange. Si l'eau de vidange est dure, le réservoir en service a un problème de valve de vidange. Si l'eau de vidange est douce, commencer avec le numéro 1 ci-dessous.

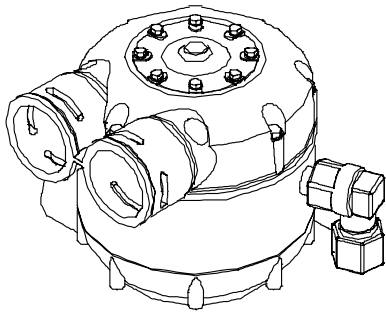
Problème	Cause	Solution
1. Le joint torique du piston d'équilibrage n'est pas logé correctement	<input type="checkbox"/> L'eau fuira passé un joint torique de piston d'équilibrage mal logé, pour aller vers la vidange.	■ Appuyer plusieurs fois sur l'actionneur pour loger le joint torique. Remplacer un joint torique usé ou non conforme.
2. Disque de contrôle défectueux	<input type="checkbox"/> Un disque de contrôle rayé ou strié entraîne un égouttement rapide, pouvant aller jusqu'à la taille d'un crayon, qui s'écoule vers la vidange.	■ Remplacer le disque de contrôle.
3. Les joints d'étanchéité de la vidange ou de la valve de contrôle ne sont pas logés correctement	<input type="checkbox"/> Des corps étrangers présents sous les joints les empêchent de se loger correctement.	■ Démontez les joints et enlever les corps étrangers.
4. Faible pression d'eau	<input type="checkbox"/> Si la pression d'eau est inférieure à 1bar (CP 208-210) ou à 1,7 bar (CP 213-216) au raccord à saumure, le système pourrait ne pas fonctionner correctement. <input type="checkbox"/> Tester les filtres de rétrolavage alors que l'unité est en mode de rétrolavage et que 1 robinet d'eau froide est ouvert.	■ Augmenter la pression d'eau.
5. Les joints d'étanchéité à quatre lobes du piston de la valve principale ou les joints d'étanchéité internes du niveau 4 ne sont pas étanches	<input type="checkbox"/> Les joints d'étanchéité à quatre lobes pourraient être roulés, pincés, déchirés ou simplement sales. <input type="checkbox"/> Les joints d'étanchéité à quatre lobes pourraient être endommagés par de la chloramine ou du chlore si l'eau d'alimentation est traitée au chlore.	■ Remplacer les joints d'étanchéité à quatre lobes et appliquer de la silicone. ■ Remplacer les joints d'étanchéité à quatre lobes par des joints en silicone. Commander une trousse de chloramine, réf. 10534A.

Goût, couleur et odeur

Problème	Cause	Solution
1. L'eau traitée a un goût métallique ou ferreux	<input type="checkbox"/> Consulter la section intitulée « Infiltration de fer ».	<input checked="" type="checkbox"/> Consulter la section intitulée « Infiltration de fer ».
2. L'eau traitée a une odeur et/ ou un goût de chlore	<input type="checkbox"/> Cela est causé par une eau brute et fortement chlorée par la municipalité.	<input checked="" type="checkbox"/> Installer un filtre à charbon.
3. L'eau traitée a un goût salé	<input type="checkbox"/> Dans les applications à TDS (1000+) très élevé, un goût de sel pourrait être présent en raison du processus d'échange d'ions ou de la présence de chlorure de sodium dans l'eau dure. <input type="checkbox"/> Consulter la section intitulée « Eau traitée salée ».	<input checked="" type="checkbox"/> Informer le client au sujet du système d'eau potable de KineticoPRO ou du système commercial RO.
4. L'eau traitée est jaunâtre	<input type="checkbox"/> L'eau brute pourrait contenir des traces de tanins. <input type="checkbox"/> Consulter la section intitulée « Infiltration de fer ».	<input checked="" type="checkbox"/> Si des tanins sont présents utiliser un adoucisseur à tanins.
5. L'eau traitée a une odeur (eau chaude seulement)	<input type="checkbox"/> La tige en magnésium à l'intérieur du réservoir d'eau chaude peut causer une réaction qui produit une odeur d'œuf pourri.	<input checked="" type="checkbox"/> Enlever cette tige du réservoir d'eau chaude. Installer un autre type de tige.

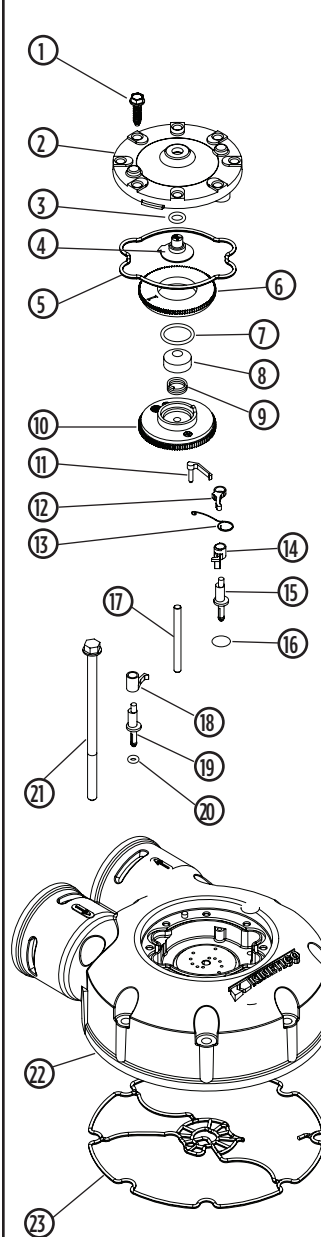
PIÈCES

Valve complète



CP 208s OD.....	11203
CP 210s OD	11131
CP 213s OD.....	11156
CP 216s OD	11170

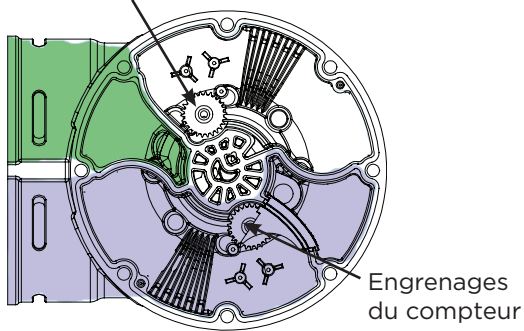
Niveau 1



1. Vis d'assemblage (8).....	1010
2. Capuchon	9044B
3. Joint torique de l'actionneur.....	1460
	208/210 213/216
4. Actionneur.....	9284A 13688
5. Joint de capuchon	8628
6. Disque compteur	
Disque 1.....	1504
Disque 2.....	1505
Disque 3.....	1506
Disque 4.....	1507
Disque 5.....	1508
Disque 6.....	1509
Disque 7.....	1510
Disque 8.....	1511
7. Joint torique du piston d'équilibrage.....	1070
	208/210 213/216
8. Piston d'équilibrage.....	14927 8189A
9. Joint torique du piston d'équilibrage ..	5448
10. Disque de contrôle	5565
11. Cliquet sans talon	7097
12. Cliquet d'entraînement du compteur.....	7014
13. Ressort du cliquet d'entraînement du compteur	7010A
14. Cliquet d'entraînement de régénération ..	1783
15. Broche excentrique	1520
16. Filtre de niveau 1.....	10781
17. Broche de support.....	1023
18. Cliquet d'entraînement de régénération ..	5511
19. Broche excentrique	1520
20. Joint torique de régénération	2657
21. Vis de niveau 1 (8)	5372
22. Ensemble de niveau 1	
CP 208s OD	11205
CP 210s OD	11133
CP 213s OD.....	11240A
CP 216s OD	11242B
23. Joint de niveau 1 (rouge LSR).....	8471

Engrenages

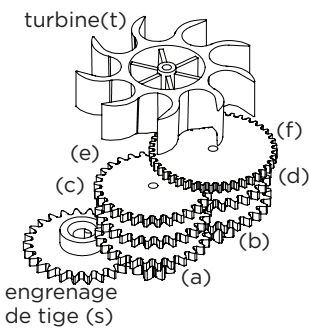
Engrenages de régénération



Engrenages du compteur

Engrenages du compteur

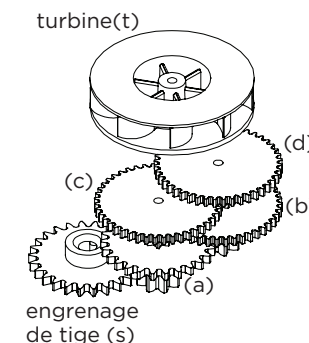
Unités (gallons)	(s) Engrenage de tige	(a) engrenage	(b) engrenage	(c) engrenage	(d) engrenage	(e) engrenage	(f) engrenage	(t) turbine
CP 208s (3171)	s	1	5	4	4	--	--	t
CP 210s (3829)	s	7	P23	P23	6	--	--	t
CP 213s (8922)	s	P20	P20	P14	P14	P13	P12	t
CP 216s (15 192)	s	P20	P20	P14	P14	P13	P12	t



Pièce	Numéro
Tige d'engrenage.....	1521
Engrenage 1.....	1522
Engrenage 2 CP 208 & CP 210 seulement	1523
Engrenage P2 CP 213 & CP 216 seulement ..	7886A
Engrenage 3.....	1524
Engrenage 4.....	1525
Engrenage 5.....	1526
Engrenage 6.....	1527
Engrenage 7.....	1528
Engrenage P12.....	7892A
Engrenage P13.....	7893A
Engrenage P14.....	7894A
Engrenage P20.....	7898A
Engrenage P23.....	7853A
Turbine (PP9) CP 208 & CP 210 seulement	9258
Turbine (PP6) CP 213 & CP 216 seulement	7855A

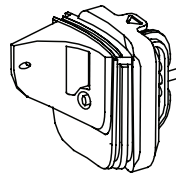
Engrenages de régénération

Unités (gallons)	(s) Engrenage de tige	(a) engrenage	(b) engrenage	(c) engrenage	(d) engrenage	(t) turbine
CP 208s (45 min)	s	2	1	5	4	j8
CP 210s (90 min)	s	2	3	4	4	j8
CP 213s (90 min)	s	2	3	4	4	j8
CP 216s (90 min)	s	2	3	4	4	j8

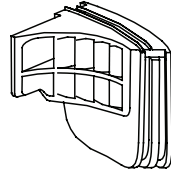


Pièce	Numéro
Engrenage 1.....	1522
Engrenage 3.....	1524
Engrenage 4.....	1525
Engrenage 5.....	1526
Turbine (réf 8 jet).....	11011A
Turbine (réf 10 jet).....	8781F
Engrenage de tige.....	1521
Bride de la turbine du compteur.....	7859
Attache d'alignement d'engrenage.....	11902B

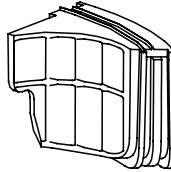
Défecteur



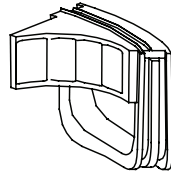
Micro Défecteur
0,19 Lpm - 19 Lpm..... 10880B



Demi défecteur
1,1 Lpm - 95 Lpm..... 11018

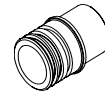


Défecteur complet
CP 208s OD / CP 210s OD
2,7 Lpm - 151 Lpm..... 11019
CP 213s OD
2,7 Lpm - 151 Lpm..... 15127

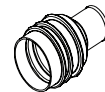


Défecteur ouvert
CP 216s OD
4,2 Lpm - 189 Lpm..... 15653

Adaptateur de l'entrée/sortie



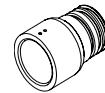
Laiton 12,7 mm - 6,4 mm - soudure..... 11048
(inclut avec les systèmes CP)



Laiton 19,1 mm - soudure..... 10748



Laiton 25,4 mm - soudure..... 11049



31,75 mm PVC, colle..... 11615B



31,75 mm Noryl - MNPT..... 10739



31,75 mm Noryl - MNPT..... 11692



31,75 mm po Noryl - MNPT..... 11691



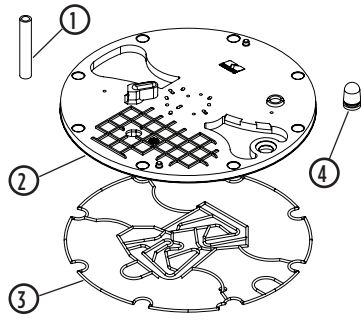
Laiton 25,4 mm - FNPT..... 10749



Adaptateur de joint torique..... 10733

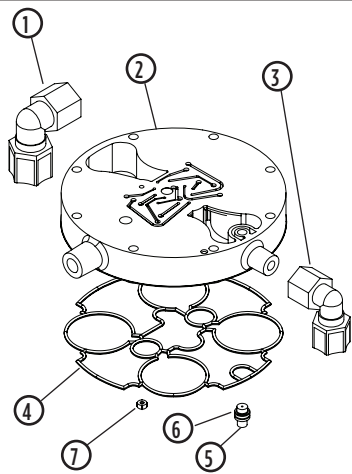
Adaptateur d'attache en E..... 11098A

Niveau 2



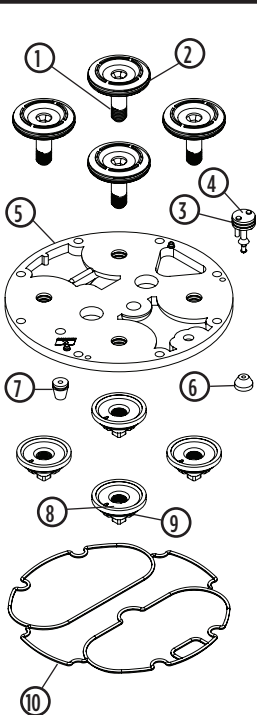
1. Tube d'aération 1480
2. Niveau 2 (208/210) 8784D
Niveau 2 (213/216) 13690A
3. Contrôle du débit de saumure
CP 208 (0,4 gpm) 5156
CP 210 (0,7 gpm) 5157
CP 213 (0,7 gpm) 5157
CP 216 (0,7 gpm) 5157
4. Joint de niveau 2 (rouge LSR) 8630

Niveau 3



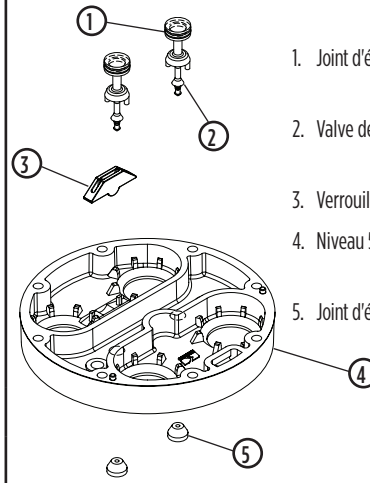
1. Coude de vidange (12,7 mm) 7870
Coude de vidange (15,9 mm) 7873
2. Niveau 3 (208/210) 8914C
Niveau 3 (213/216) 10420
3. Coude à saumure 1840
(Tube 9,5 mm NPT x 9,5 mm)
4. Joint de niveau 3 (rouge LSR) 8631
5. Gorge, CP 208 (beige) 16968
Gorge, CP 210 (blanc) 1043
Gorge, CP 213/216 (jaune) 6017
6. Joint torique de gorge de venturi.. 1460
7. Contrôle du débit de régénération
(0,2 gpm) 9183B

Niveau 4



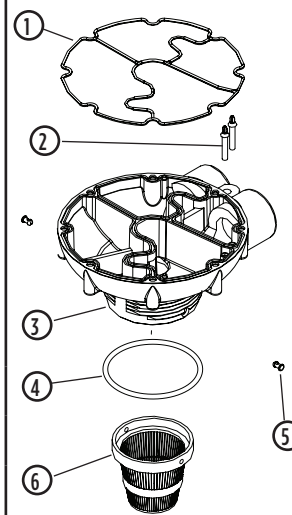
- | | 208/210 | 213/216 |
|---|---------|----------------|
| 1. Piston principal avec joint d'étanchéité à quatre lobes | 17398 | 15131 |
| 2. Piston principal avec joint d'étanchéité à quatre lobes | 1550 | 8186A |
| 3. Joint d'étanchéité à quatre lobes de la valve de contrôle | 1590 | 8187A |
| 4. Valve de contrôle (avec joint d'étanchéité à quatre lobes) | 13720A | 13720A |
| 5. Niveau 4 | 13692A | 15614
15128 |
| 6. Joint d'étanchéité valve de contrôle | 7869 | 8193A |
| 7. Contrôle du débit de rétrolavage | | |
| CP 208 (2,0 gpm)..... | 1054 | |
| CP 210 (3,0 gpm)..... | 1055 | |
| CP 213 (5,0 gpm)..... | 1583 | |
| CP 216 (7,0 gpm)..... | none | |
| 8. Siège de valve principale (avec joint) 2465A | 13696A | |
| 9. Joint de valve principale..... | 7865 | |
| 10. Joint de niveau 4 (rouge, LSR)..... | 8632 | 8632 |

Niveau 5



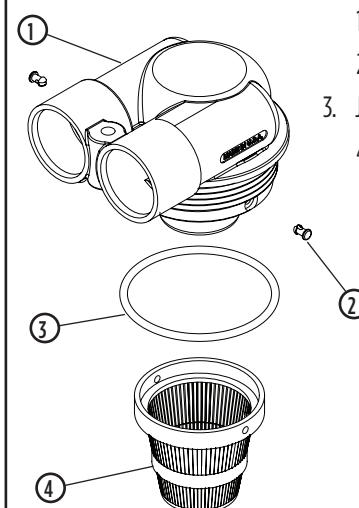
- | | 208/210 | 213/216 |
|---|---------|---------|
| 1. Joint d'étanchéité à quatre lobes de la valve de vidange | 1590 | 8187A |
| 2. Valve de vidange avec joint quatre lobes | 7872A | 15129A |
| 3. Verrouillage | 9261 | 13697 |
| 4. Niveau 5 (tige de vérification) | 13700A | 13700A |
| 5. Joint d'étanchéité à quatre lobes de la valve de vidange | 7869 | 8193A |

Niveau 6



1. Joint de la base principale..... 8620
2. Tiges de vérification..... 8627
3. Base principale (208/210)..... 8651C
Base principale (210/213)..... 14602A
4. Joint torique de la base principale 8925
5. Attache, distributeur principal
208/210 10279
6. Distributeur supérieur
208/210 2160A
213 16986
216 16260

Base distante



1. Base distante 13705
2. Attache, distributeur principal... 10279
3. Joint torique de la base principale .. 8925
4. Distributeur supérieur
208/210 2160A
213 16986
216 16260

Réservoirs de matière filtrante, distributeurs et tubes ascendants

1. Adaptateur (CP216).....	16261
2. Vis (CP213/216)	1774
3. Adaptateur de réservoir avec distributeur (CP216)	16262
4. Distributeur supérieur	
216.....	16260
208/210.....	2160A
213.....	16986
5. Restricteur de débit (réservoir principal)	
208/210.....	5567A
213/216.....	--
6. Réservoir de matière filtrante	
208.....	13429
210.....	13416
213.....	13417
216.....	11174A
7. Tube distributeur	
208.....	13437
210.....	13422
213.....	13424
216.....	11166B

Raccords de réservoir

Trousse de raccordement	
208.....	14699
210.....	11029A
213.....	11042
216.....	11167
1. Broche.....	4742
2. Raccord de joint torique.....	1328
3. Tuyau de raccord	
208 (8").....	13711B
210 (10").....	11775C
213 (13").....	13675
216 (16").....	9213B
4. Anneau de jonction	
208 (8").....	2845
210 (10").....	2846
213 (13").....	8079
216 (16").....	9212

Valve à saumure

1. Tube de raccord de 9,5 x 9,5 mm	9210A
2. 7805: Tube courbé (réservoir de saumure 18 x 35)...	7802
10591: Tube courbé (réservoir de saumure 24 x 40)	10589
3. Couvercle du puits.....	7815A
4. Verrouillage de tige	7796
5. Flotteur.....	7821
6. Œillet du flotteur	7789
Bride de flotteur.....	7820A
7. Guide de tige.....	7798
8. Tube ajusteur.....	7787B
9. 7805: Ensemble de valve à saumure.....	7786
10591: Ensemble de valve à saumure.....	8112
10. Joint torique de valve à saumure.....	9804
11. Corps de valve à saumure avec connecteur.....	7783
12. Connecteur, tube de 9,5 x 6,35 mm MNPT.....	17506

Ensembles complets de valve à saumure	
Réservoir de saumure 18x35.....	7805
Réservoir de saumure 24x40	10591

Raccords de réservoir

Résine de l'adoucisseur (sac de 28,3 L).....	13672
Gravier (sac de 28,3 L)	1226A



Owner's Manual

Commercial Plus Softener Series

© 2023, Kineticopro Incorporated

Corporate Headquarters
10845 Kinsman Road
Newbury, Ohio 44065

www.Kineticopro.com

Product No. 11160M
Rev. 02.01.2023