



# ROAX N-SERIES RO WATER SYSTEMS

N1-2000 • N2-4000 • N3-6000 • N4-8000 • N6-12000

A reliable solution for your high quality, high volume water needs.

## ROAX Overview

Kineticopro's ROAX N-Series combines rugged construction and high-volume output within a very small vertical footprint. Proprietary controller technology makes startup easy and provides automated maintenance notifications and service diagnostics. The ROAX is optimal for operations that run 24/7, experience high-volume drawdowns and use more than 2,000 gallons per day.



ROAX RO Water Systems  
Common Market Segments



### Equipment Protection

- High efficiency, low energy reverse osmosis membranes produce high quality water for improved performance and increased life span of downstream equipment.
- The pump and TEFC motor are made with corrosion-resistant stainless steel to prolong equipment life and enable the system to endure harsh environments.



### Operational Efficiency

- Provides 2,000 - 12,000 GPD of high quality water at a constant pressure to meet fluctuating demands.
- Advanced system controller monitors pressure, TDS and maintenance schedules. Includes diagnostics and data connectivity.
- Conserves water and floor space. Engineered, skid-mounted options include pre- and post-treatment in a modular system design.
- Monitors water usage with permeate, brine and recirculation flow meters.
- Engineered controller flushes system with pre-filtered water at shutdown and startup to enhance TDS meter accuracy.



HVAC - Heating & Air



Server Farms/Data Centers



Car Washes

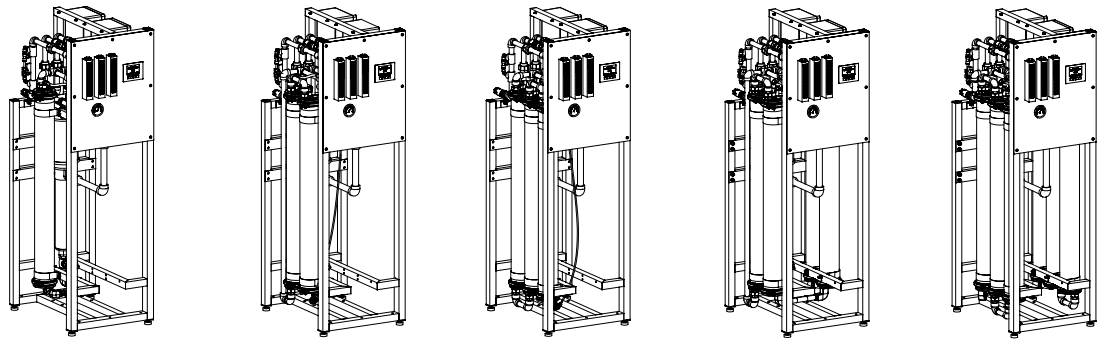


Printing Facilities



Hydroponics

Also Used for:  
Cafeterias, Misting,  
Restaurants

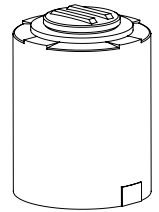
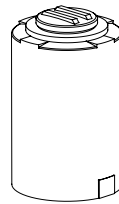


## SPECIFICATIONS

	N1-2000	N2-4000	N3-6000	N4-8000		N6-12000	
<b>Part Number(s)</b>	16930	16931	16932	16933	16934	16935	16936
<b>System Size (w x d x h) in</b>	20 x 28 x 64	20 x 28 x 64	20 x 28 x 64	20 x 28 x 64		20 x 28 x 64	
<b>System Size (w x d x h) cm</b>	51 x 71 x 163	51 x 71 x 163	51 x 71 x 163	51 x 71 x 163		51 x 71 x 163	
<b>Membrane Type</b>	TF Low Energy	TF Low Energy	TF Low Energy	TF Low Energy		TF Low Energy	
<b>Filtered Water System Flush</b>	Standard	Standard	Standard	Standard		Standard	
<b>Voltage (V) 50/60 Hz</b>	1 x 230 V	1 x 230 V	1 x 230 V	3 x 230 V	3 x 460 V	3 x 230 V	3 x 460 V
<b>Inlet Pressure (psi/bar)</b>	30 - 100/2.1 - 6.9	30 - 100/2.1 - 6.9	30 - 100/2.1 - 6.9	30 - 100/2.1 - 6.9		30 - 100/2.1 - 6.9	
<b>Operating Temperature (°F/°C)</b>	36-100/2.2-37.8	36-100/2.2-37.8	36-100/2.2-37.8	36-100/2.2-37.8		36-100/2.2-37.8	
<b>Permeate Flow Rate (gpm/Lpm)*</b>	1.39/5.26	2.78/10.52	4.17/15.79	5.56/21.05		8.33/31.53	
<b>Maximum Efficiency Rate</b>	70%	70%	70%	70%		70%	
<b>Rejection Rate - NaCl</b>	96%	96%	96%	96%		96%	
<b>Daily Production (gpd/Lpd)*</b>	2,000 / 7,572	4,000 / 15,144	6,000 / 22,717	8,000 / 30,289		12,000 / 45,425	
<b>TDS (Max) as NaCl mg/L</b>	2,500	2,500	2,500	2,500		2,500	

\* Based on 77°F (25°C), 500 ppm TDS softened feed, permeate to atmospheric tank, 50 psi (3.45 bar) inlet pressure at 60 Hz.

## STORAGE TANK OPTIONS



	N1-2000, N2-4000		N3-6000, N4-8000, N6-12000
<b>Tank Description</b>	300 gallon	550 gallon	1000 gallon
<b>Tank Height (inches)</b>	80"	83"	84"
<b>Tank Diameter (inches)</b>	35" DIA	48" DIA	64" DIA
<b>Material</b>	HDPE	HDPE	HDPE

## EFFORTLESS TOTAL WATER CARE

KineticoPRO® offers a complete range of commercial water treatment solutions. Based on a per-location water analysis, we will work with you to prescribe the ideal water filtration, softening, and reverse osmosis solutions to optimize your water quality and protect your equipment.



**POE & POU  
Water Softeners**



**Water Filtration**



**RO Systems**



1.800.321.5022  
www.KineticoPRO.com  
WaterCare@KineticoPRO.com

©2021 Kinetico Incorporated. All Rights Reserved.  
Kinetico Incorporated, 3980 Lakefield Ct. Suwanee, GA 30024  
Made in U.S.A. 16894C\_SELL SHEET\_ROAX SERIES\_04-21